

**These instructions apply to:**

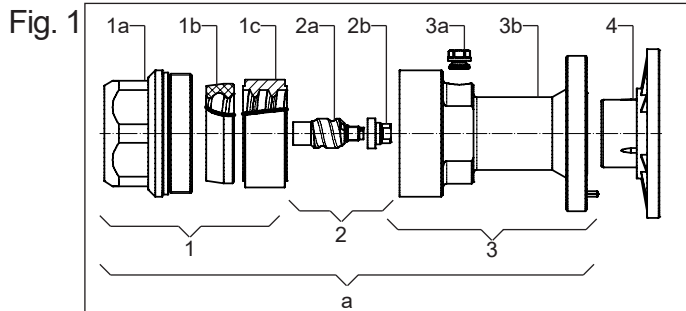
Connectors with EIA-flanges

for cable **HCA158-50**

Figures show 1 5/8" EIA (50 Ω) connectors

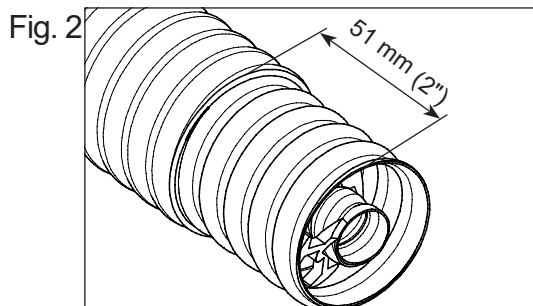
**Tools and Materials**

Measuring tape, cable knife, saw, flat file, flat pliers, metal shears, scraper, open-ended spanner 9 mm (3/8"), 48 mm (1-7/8"), 60 mm (2-3/8"), open-ended spanner 11 mm (7/16") for gas inlet, 4 mm (5/32") drill bit, hammer, plastic hammer or flaring rod (hard wood).



**Connector disassembly, Fig. 1**

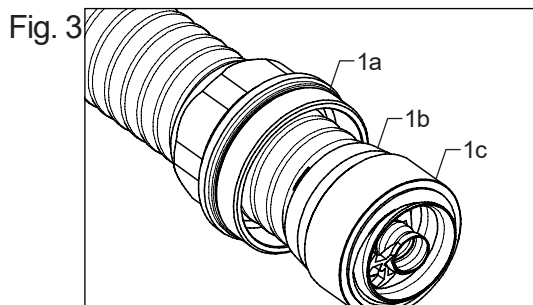
- a) Disassembly of connector.
  - 1 Connector back end
  - 1a Back nut
  - 1b Gasket
  - 1c Clamping ring
  - 2 Screw unit (inner conductor)
  - 2a Stub
  - 2b Clamping ring
  - 3 Connector head
  - 3a Gas inlet screw (1/8" NPT)
  - 3b Connector outer conductor
  - 4 Protective cap



**Cable trimming, Fig. 2**

- b) Clean cable end and saw it off rectangular to cable axis.

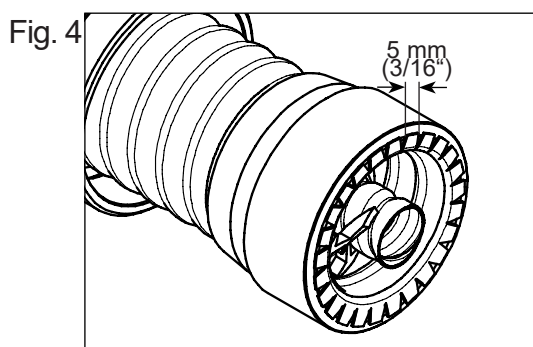
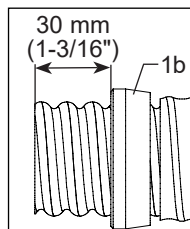
**Caution:** Do not deform cable while trimming!  
Cut back cable jacket. Please observe that no metal particles get inside of the cable.  
It is recommended to seal the cable inside with a cloth temporarily. Deburr sawing edges! Remove all metal particles!



**Preparing of outer conductor, Fig. 3**

- c) Slide part (1a) over the cable.
- d) Lubricate gasket (1b) and O-Ring of part (1a) with the supplied grease for easy installation. Screw part (1b) onto outer conductor close against jacket. Check smooth fit of part (1b) in the cable corrugation.
- e) Screw part (1c) against part (1b)

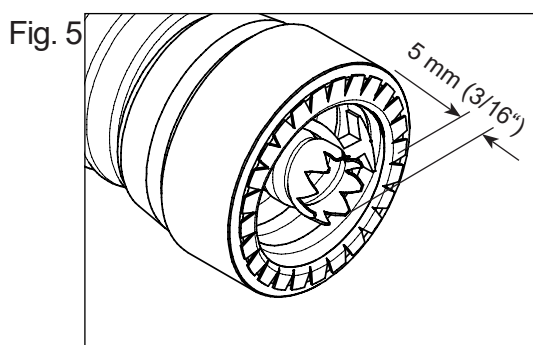
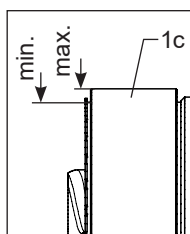
**Notice:** Observe the cone direction of the gasket!



**Flaring of outer conductor, Fig. 4**

- f) Cut slits in the protruding outer conductor in axial direction until part (1c). The spacing of the slits shall be approx. 5 mm (3/16"). Flare outer conductor segments outwards against part (1c). Use flaring rod (hard wood).

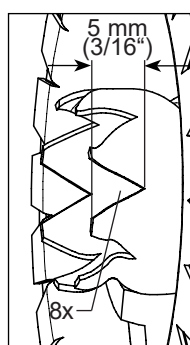
The flared cable outer conductor must be equally thick, if not it can be obtained by finishing this flared area with a file. The flared segments that exceed the diameter of part (1c) must be cut back with metal shears or flat file.

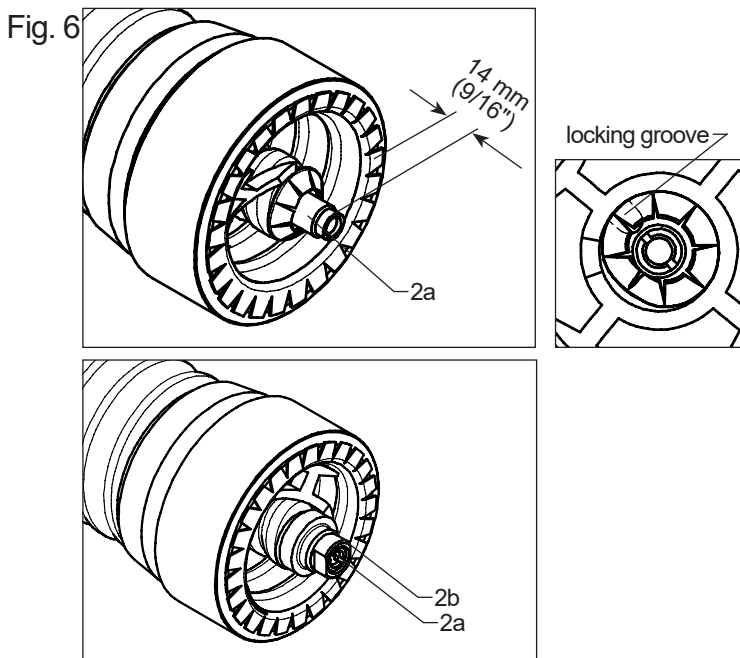


**Flaring of inner conductor, Fig. 5**

- g) Deburr inner conductor. The protruding insulation helix must be even with the inner conductor. Cut notches with metal shears (recommended: 8 notches).

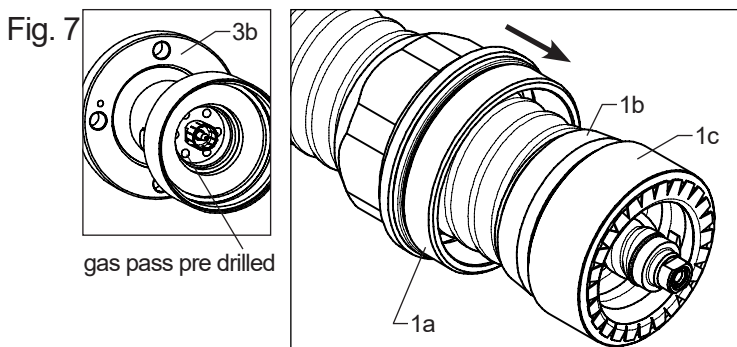
**Notice:** Observe that the cloth has been removed after trimming!  
Ensure the insulating helix remains in its original path. Do not push or stretch the insulating helix!





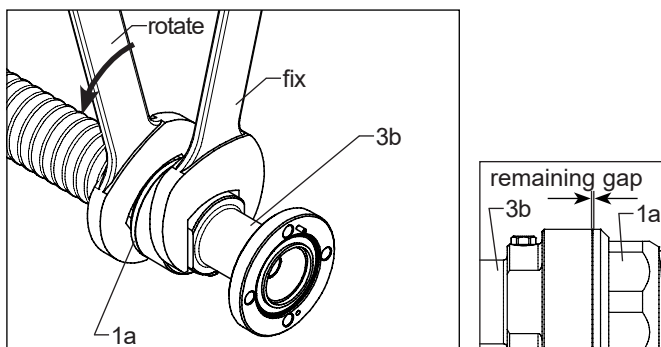
### Preparing of inner conductor, Fig. 6

- h) Screw part (2a) into cable inner conductor. Adjust part (2a) with a screw driver.
- i) Push one jag of cable inner conductor into locking groove of part (2a).  
Flare back cable inner conductor, making sure that part (2a) does not change its position.  
The flared cable inner conductor must be equally thick, if not it can be obtained by finishing this flared area with a file. Overlaying tabs must be reworked. Remove protruding flaring edges.
- j) Screw up part (2b) with part (2a) with open-ended spanner 9 mm (3/8").  
Torque 8 Nm (6 ft.-lb.) approx.



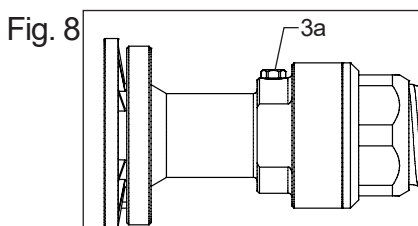
### Fitting of connector head, Fig. 7

- k) If a gas pass connector is needed drill through pre drilled hole in the insulator with 4 mm (5/32") drill bit.
- l) Slide part (1a) onto parts (1b) and (1c). Screw part (3b) onto part (1a) of prepared cable end. Tightly and equally screw together part (3b) and part (1a) with open-ended spanners 60 mm (2-3/8") and 48 mm (1-7/8"). Make sure to turn only part (1a).  
Torque 60 Nm (44 ft.-lb.) approx.  
At correct installation a small gap will remain between part (3b) and part (1a).



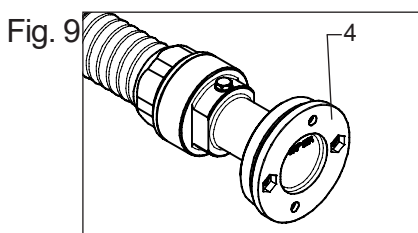
### Gas inlet (if required), Fig. 7

- m) Remove part (3a) and install a suitable tube adapter.



### Gas inlet (if required), Fig. 8

- m) Remove part (3a) and install a suitable tube adapter.



### Protective cap, Fig. 9

If the cable with mounted connector is pulled up the tower the connector must be protected against banging against the tower or getting stuck at obstacles



部件名称/Component Name	有毒有害物质或元素/Toxic or Hazardous Substances and Elements					
	铅/Pb	汞/Hg	镉/Cd	六价铬/Cr 6+	多溴联苯/PBB	多溴二噁英/PBDE
金属零件/metal parts	X	O	O	O	O	O

产品在正常使用条件下,其环保使用期限才在此标识有效期内。/ The environmental protection use period is valid if the product is used as intended.