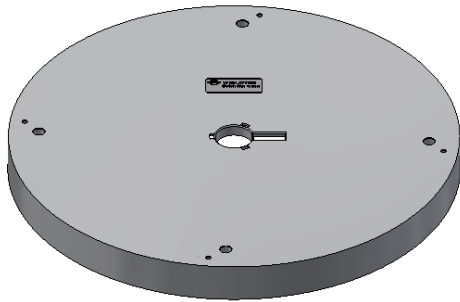


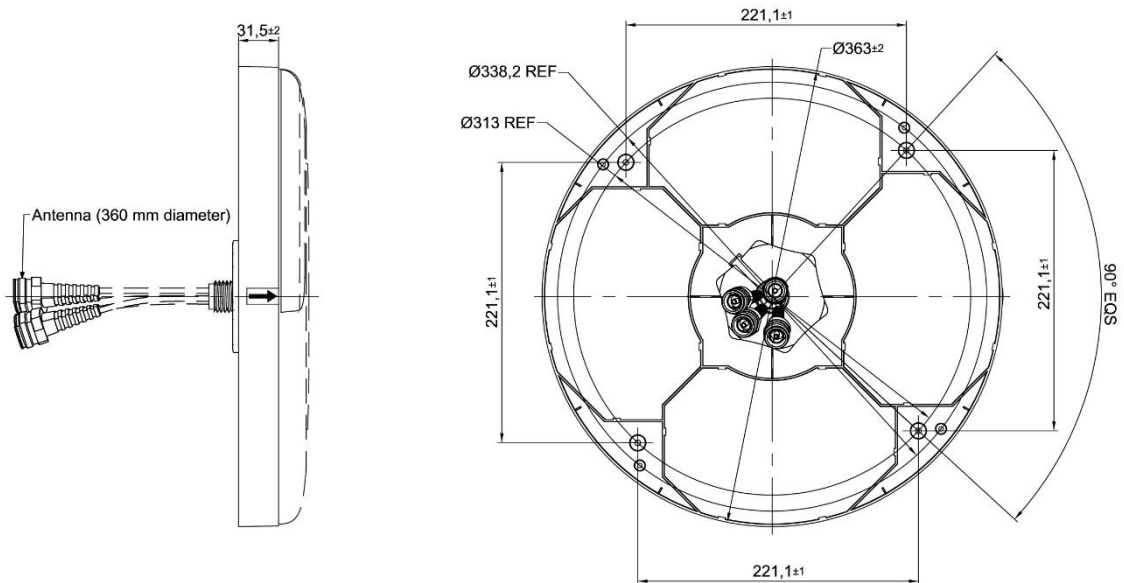
Interference absorber for 360 mm antennas



not binding

Part number	BN A77699	
Material	Top Cover Bottom Cover Absorber	ABS, white RAL9003 PVC, white RAL9003 Carbon dust
Dimensions, [mm]	Ø363 x 31.5	
Weight, [g]	650	
Degree of protection	Indoor use	
RoHS	Compliant	
Fire load, [kWh]	6.06	

Dimensions and mounting:



Subject to change without notice