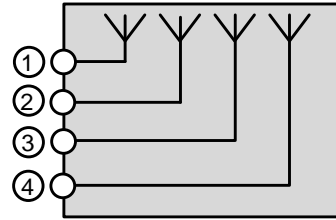


4x4 MIMO XX-Pol Panel Antenna, 694MHz-4000MHz



not binding

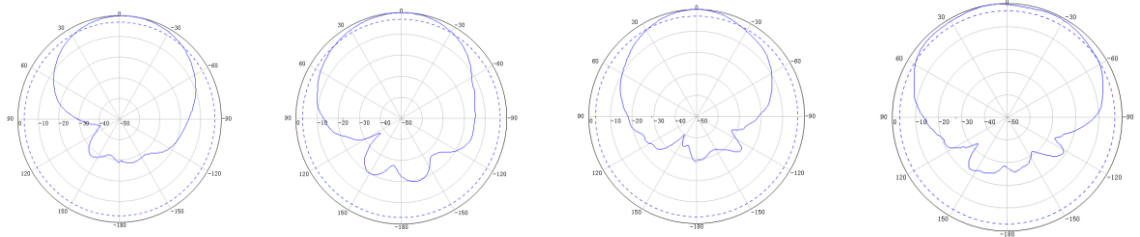


block diagram

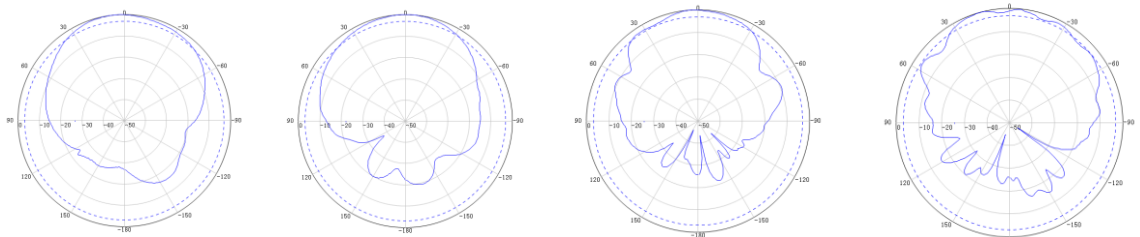
Part number	BN A77676			
Connector	4 x 4.3-10 female (50 Ω)			
Frequency range, [MHz]	694-960	1710-2700	3300-4000	
Gain, [dBi]	6.0±1.0	6.5±1.0	6.5±1.0	
Polarization	2 x ±45°			
Beam width (Typical)	Horizontal, [deg]	75	70	68
	Vertical, [deg]	70	70	60
VSWR	≤1.8			
Isolation, [dB]	>15	>20	>23	
Intermodulation (IM3) @ 2x 20 W, [dBc]	≤-153			
Input power, [W]	max. 50 per port.			
Degree of protection	Indoor / IP54			
Weight, without Mounting Kit, [kg]	2.3			
Radome Material and Color	ABS, White, RAL9003			
Temperature range, [°C]	-55 to +60			
Dimensions H x W x D [mm]	308 x 420 x 82			
Pigtail Length, [mm]	550(white)			
Operational Humidity	<95%			
RoHS	Compliant			
Flammability rating	UL 94-V0			
Fire load, [kWh]	7.37			
Installation instructions	M36536			
Mounting Kit	On-wall			

Radiation pattern:

Horizontal Pattern



Vertical Pattern



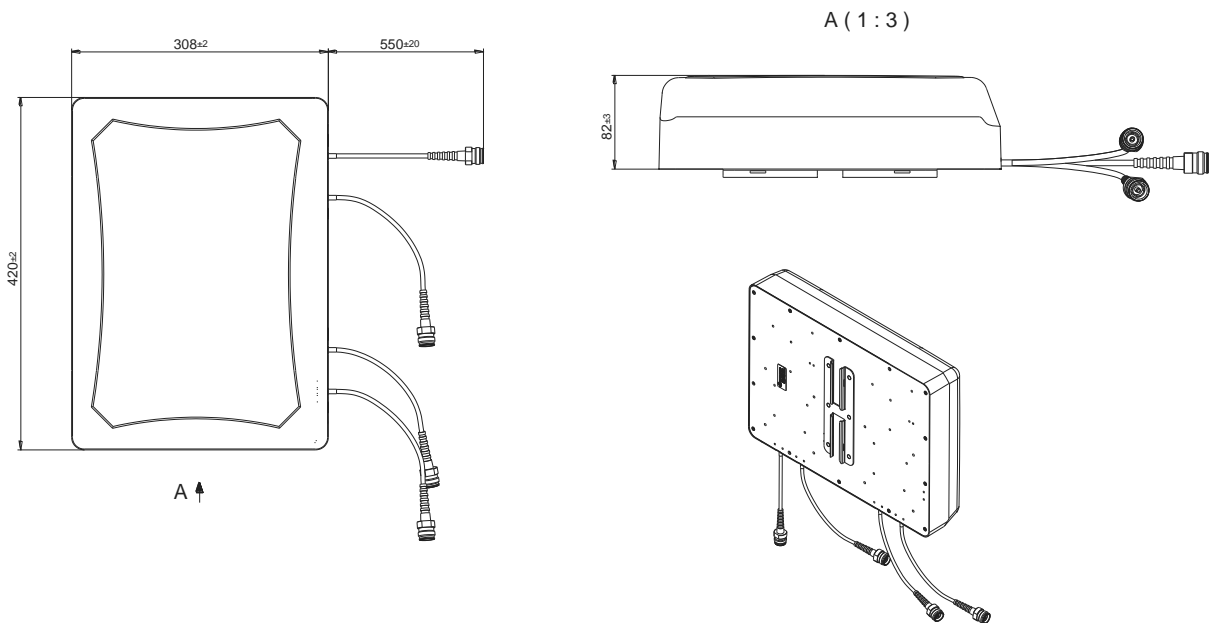
900MHz

1710MHz

2500MHz

3500 MHz

Dimensions and mounting:



Standard:

4.3-10 female (50 ohms): IEC 61169-54

Subject to change without notice

Mounting kit:

