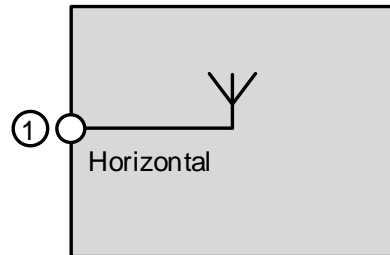


### Thin H-Pol Omni Antenna, 380MHz-2700MHz



not binding



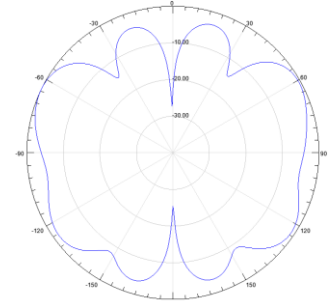
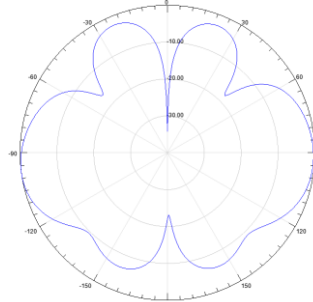
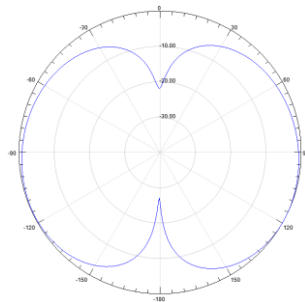
block diagram

Part number		BN A77137C0001		
Connector		4.3-10 female (50 Ω)		
Frequency range, [MHz]		380-520	694-960	1690-2700
Gain, [dBi]		2.0±1.0	2.2±1.0	4.5±1.0
Polarization		Horizontal		
Beam width	Horizontal, [deg]	360		
	Vertical, [deg]	25-80	50-120	70-150
VSWR		≤ 2.0	≤ 2.0	≤ 2.0
Intermodulation (IM3) @ 2x 20 W, [dBc]		-	≤ -150	≤ -150
Input power, [W]		max. 50		
Degree of protection		Indoor / IP54		
Weight, [kg]		0.4		
Radome Material and Color		ABS, White, RAL9003		
Temperature range, [°C]		-55 – +60		
Dimensions, [mm]		Ø266 x 18		
Operational Humidity		< 95%		
RoHS		Compliant		
Flammability rating		UL 94-V0		
Fire load, [kWh]		3.48		
Installation instructions		M36535		
Mounting Kit		Ceiling <sup>1)</sup> , via hole(standard)		

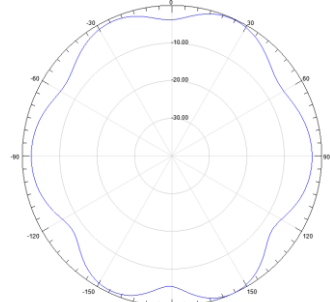
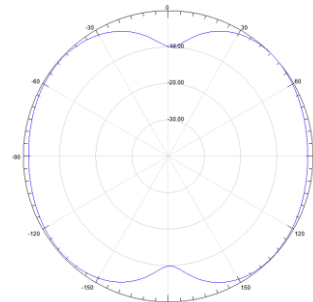
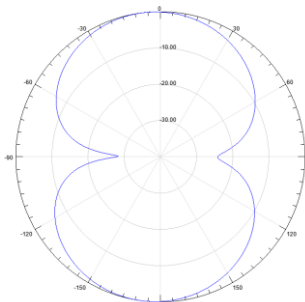
<sup>1)</sup> The installation of thin antennas is not recommended for metal ceilings.

**Radiation pattern:**

**Horizontal pattern**



**Vertical pattern**

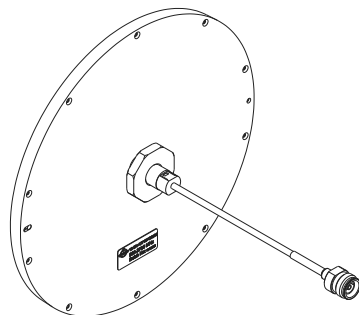
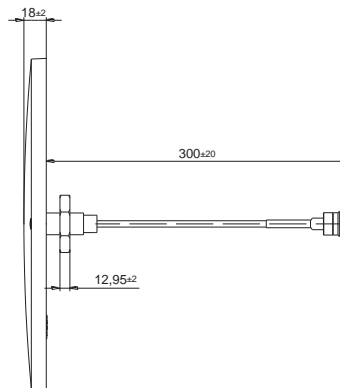
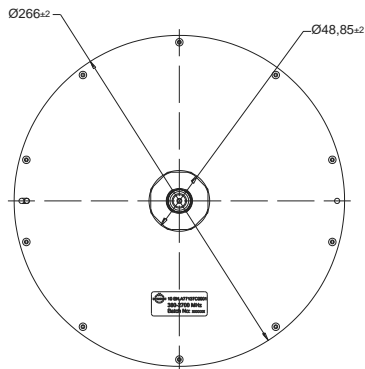


800MHz

1710MHz

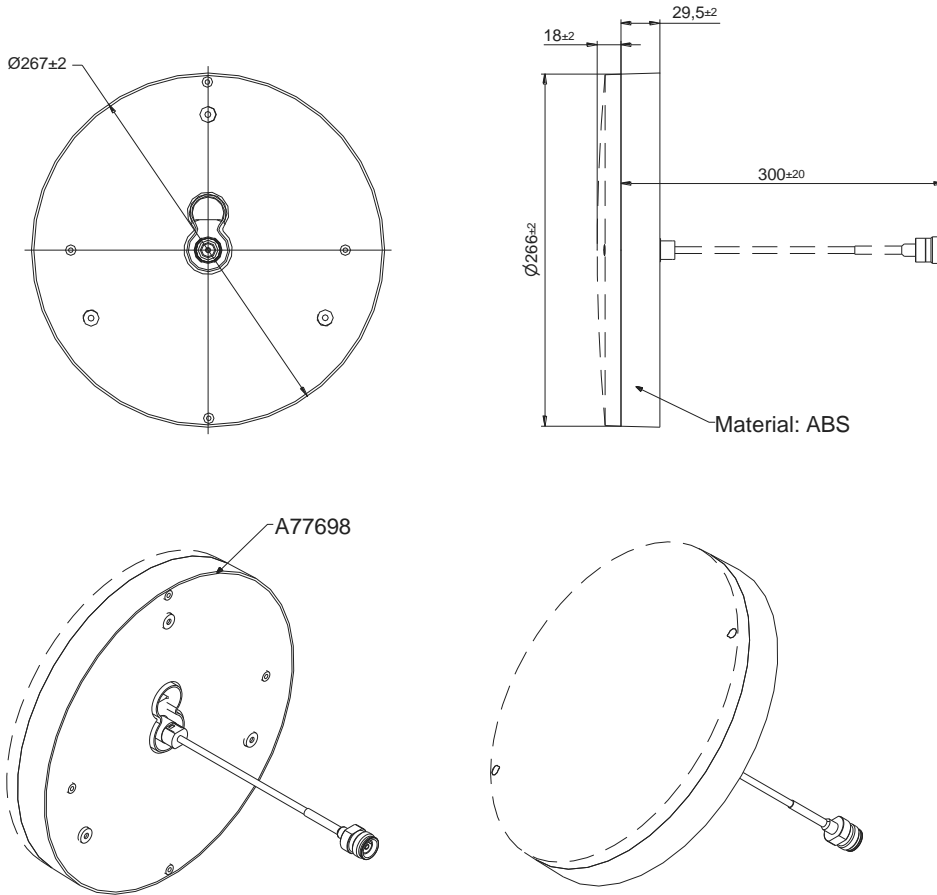
2500MHz

**Dimensions and mounting:**



**Standard:**  
4.3-10 female (50 ohms): IEC 61169-54

**Absorbing/Mounting accessory BN A77698 (optional)**



Subject to change without notice