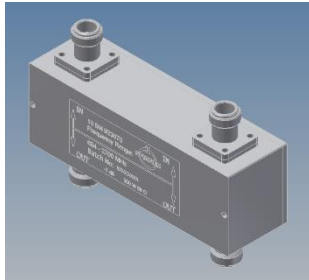
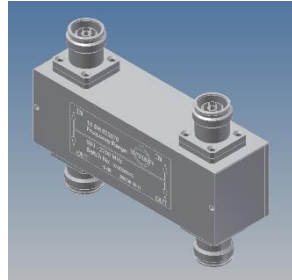


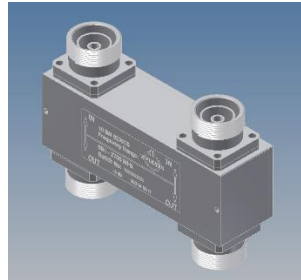
3 dB Coupler (X-Style)



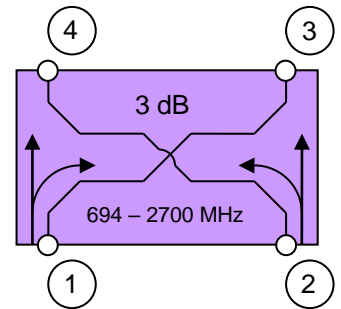
BN 923070



BN 923076



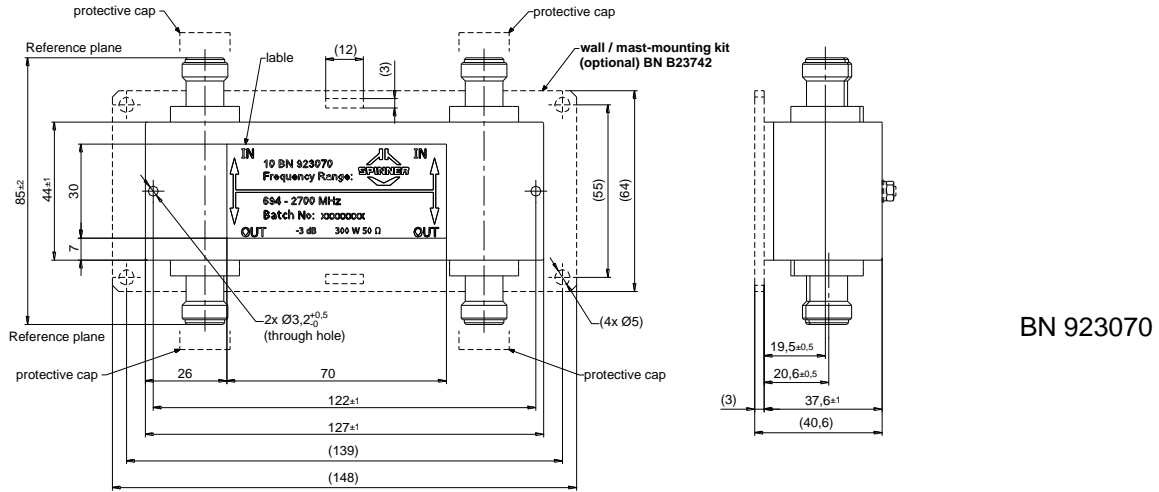
BN 923075



Block Diagram

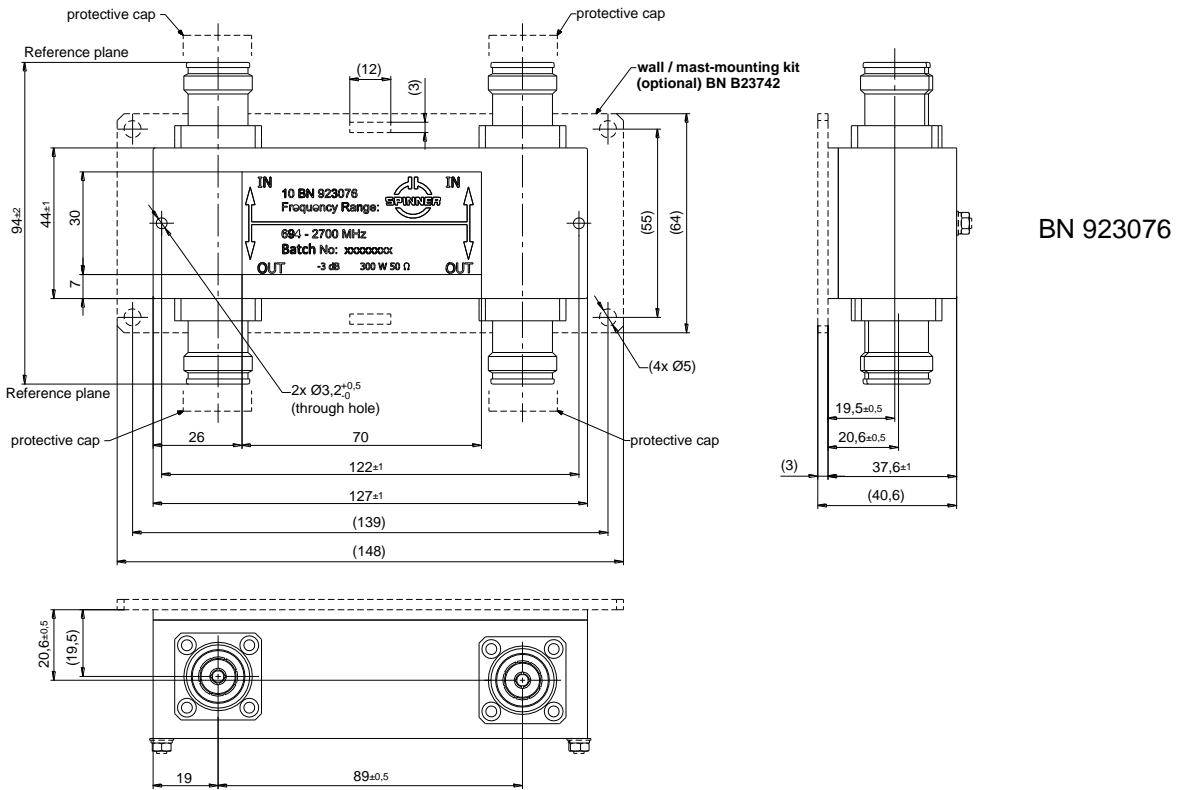
Part number	BN 923070	BN 923076	BN 923075
Connectors	N socket (50 Ohms)	4.3-10 socket (50 Ohms)	7-16 socket (50 Ohms)
Frequency range	694 - 2700 MHz		
Insertion loss	≤ 3.6 dB		
Isolation	≥ 25 dB		
VSWR	≤ 1.25		
Power rating	300 W per port		
IM – value 3rd order at 2 x 20 W	≤ -155 dBc typical ≤ -160 dBc		
Degree of protection	IP 65 (outdoor)		
Environmental conditions	ETSI EN 300019-1-1 Class 1.2 ETSI EN 300019-1-2 Class 2.3 ETSI EN 300019-1-4 Class 4.1E		
Weight	0.8 kg	0.8 kg	0.9 kg
Wall / Mast mounting	to be ordered separately under BN B23742		
Temperature range	-40 – +80 °C		

Dimensions:



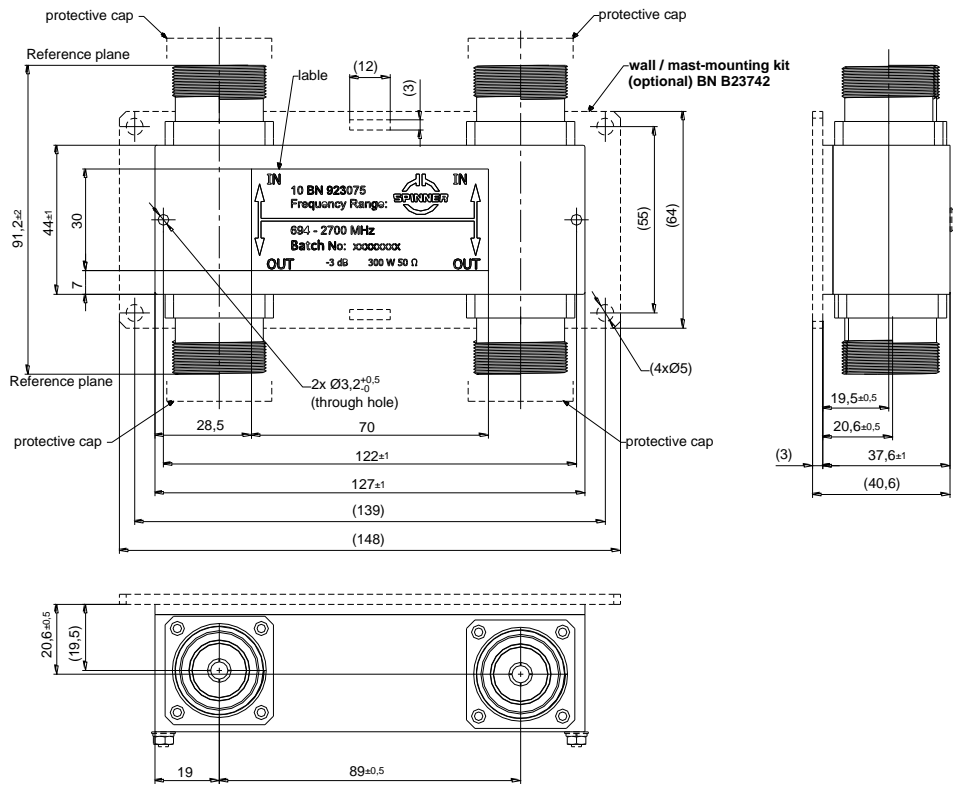
BN 923070

Standard:
N female (50 ohms): CECC 22210, IEC 61169-16
modifications reserved



BN 923076

Standard:
4.3-10 female: 50 (ohms): IEC 61169-54
modifications reserved



BN 923075

Standard:

7-16 female (50 ohms): CECC 22190, IEC 61169-4;

modifications reserved