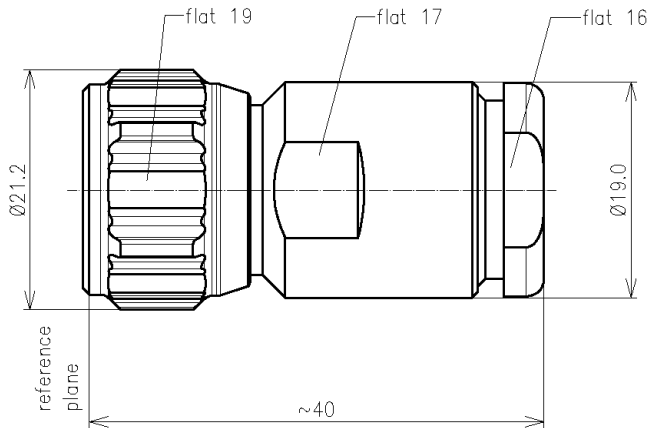


Cable Plug for RG8, Type N || BN 922436



all dimensions in millimeter

Interface type	N plug (50 Ω) per IEC 61169-16
Version	clamped
Frequency range	DC to 8 GHz
VSWR, max. / typ.	1.02 @ DC to 0.5 GHz 1.04 @ 0.5 to 1.0 GHz 1.06 @ 1.0 to 2.0 GHz 1.11 @ 2.0 to 4.0 GHz 1.16 @ 4.0 to 6.0 GHz
Inner conductor material / surface finish	copper alloy / silver plated
Outer conductor material / surface finish	copper alloy / CuSnZn plated
Other metal parts / surface finish	copper alloy / nickel plated
Insulation	PTFE
Sealing	silicone rubber
IP protection level	IP68 per EN 60529 (barrier and mating face sealed)
Cable compatibility	RG8
Installation instructions	M30674
Weight, approx.	55 g
Scope of delivery	installation instructions

SPINNER GmbH  
 This document is proprietary to us.  
 All rights reserved. Any use, transfer, or reproduction of this document  
 or the know-how contained therein requires our express consent.