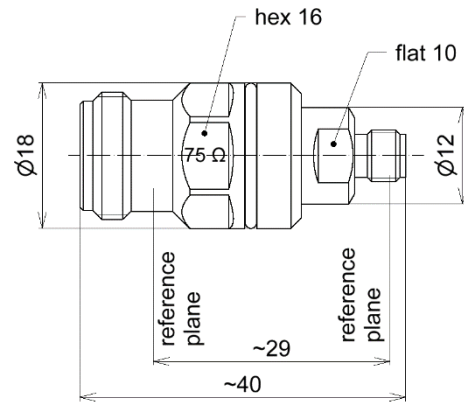


Precision Adaptor || BN 876789



all dimensions in millimeter

**Radio frequency characteristics**

Interface type	N socket 75 Ω per IEC 61169-16 / 3.5 mm socket 50 Ω per IEC 60169-23
Frequency range	DC to 20 GHz
Impedance	50 Ω / 75 Ω (unmatched)

**Mechanical characteristics**

Center conductor material / surface finish	CuBe age hardened / gold-plated
Outer conductor material / surface finish	copper alloy / gold-plated
Insulation	PS
Weight, approx.	0.05 kg
Marking	laser engraving

**Environmental conditions**

<b>Operation</b>	
Ambient temperature range	+5 to +45°C
<b>Storage</b>	
Ambient temperature range	-40 to +70°C
Relative humidity	95% (non-condensing)

**Scope of delivery and accessories**

Scope of delivery	protective caps
-------------------	-----------------

SPINNER GmbH  
 This document is proprietary to us.  
 All rights reserved. Any use, transfer, or reproduction of this document  
 or the know-how contained therein requires our express consent.