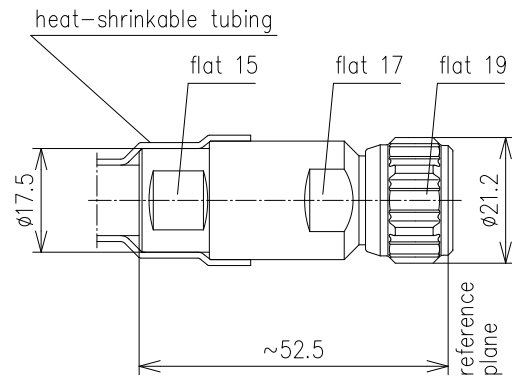


CABLE PLUG FOR LF 3/8"-50-TYPE N



| | | | |
|---------------------------|--|----------------------|---------------|
| Part number | BN 87 01 69 | | |
| Connector type | N plug | | |
| Version | CAF® | | |
| Impedance | 50 Ω | | |
| Frequency range | 0 - 1 GHz | 1 - 2.7 GHz | 2.7 - 3.8 GHz |
| VSWR | ≤ 1.02 | ≤ 1.03 | ≤ 1.08 |
| Material and surface | | | |
| Inner conductor | copper alloy | silver-plated | |
| Outer conductor | copper alloy | silver-plated | |
| Other metal parts | copper alloy | bright nickel-plated | |
| Insulation | PTFE | | |
| Sealing | silicone rubber, heat-shrinkable adhesive tubing | | |
| Degree of protection | IP68 (mated) | | |
| Cable compatibility | RFS | LCF 38-50 | |
| Standards | IEC 61169-16 | | |
| Installation instructions | M30712 | | |
| Weight | approx. 0.06 kg | | |
| Included in delivery | sealing, installation instructions | | |