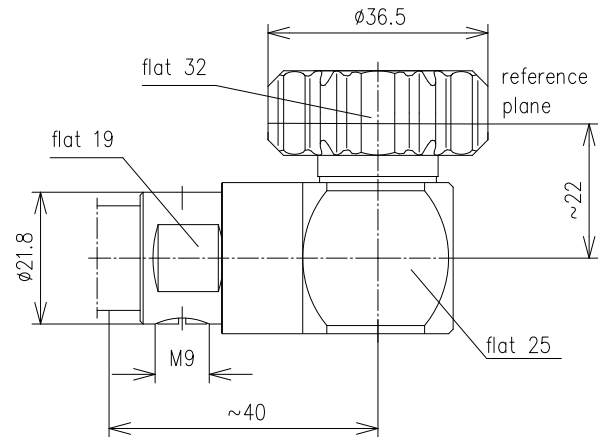


RIGHT ANGLE CABLE PLUG FOR LF 1/2"-50-TYPE 7-16



<b>Part number</b>	<b>BN 84 73 56</b>			
Connector type	7-16 plug			
Version	CAF®			
Impedance	50 Ω			
Frequency range	0 - 1 GHz	1 - 2.2 GHz	2.2 - 2.7 GHz	2.7 - 3.8 GHz
VSWR	≤ 1.04	≤ 1.06	≤ 1.08	≤ 1.1
Material and surface				
Inner conductor	copper alloy		silver-plated	
Outer conductor	copper alloy		silver-plated	
Other metal parts	copper alloy		bright nickel-plated	
Insulation	PTFE			
Sealing	silicone rubber, PLAST 2000®			
Degree of protection	IP68 (mated)			
Cable compatibility	RFS	LCF 12-50		
Standards	IEC 61169-4			
Installation instructions	M30596			
Weight	approx. 0.2 kg			
Included in delivery	cover, installation instructions			