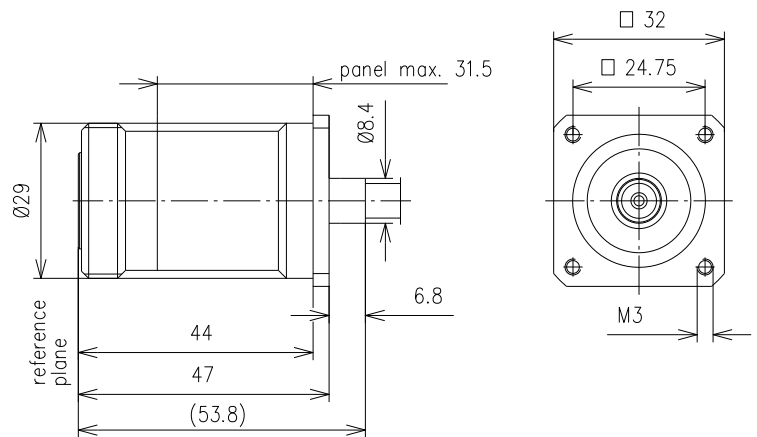


FIXED SOCKET FOR RG 401/U-TYPE 7-16



| | | | |
|-----------------------------|-------------------------------------|---------------|-------------|
| Part number | BN 80 77 52 | | |
| Connector type | 7-16 socket | | |
| Version | soldered | | |
| Impedance | 50 Ω | | |
| Frequency range | 0 - 1 GHz | 1 - 2 GHz | 2 - 4 GHz |
| VSWR | ≤ 1.02 | ≤ 1.04 | ≤ 1.06 |
| Intermodulation (IM3) 2x20W | ≤ -165 dBc | | |
| Material and surface | | | |
| Inner conductor | copper alloy | silver-plated | |
| Outer conductor | copper alloy | silver-plated | |
| Insulation | PTFE | | |
| Degree of protection | IP68 (mated) | | |
| Cable compatibility | RG 401/U | | |
| Standards | IEC 61169-4 | | |
| Installation instructions | M32030 | | |
| Weight | approx. 0.18 kg | | |
| Included in delivery | installation instructions | | |
| Delivery status | inner conductor attached separately | | |