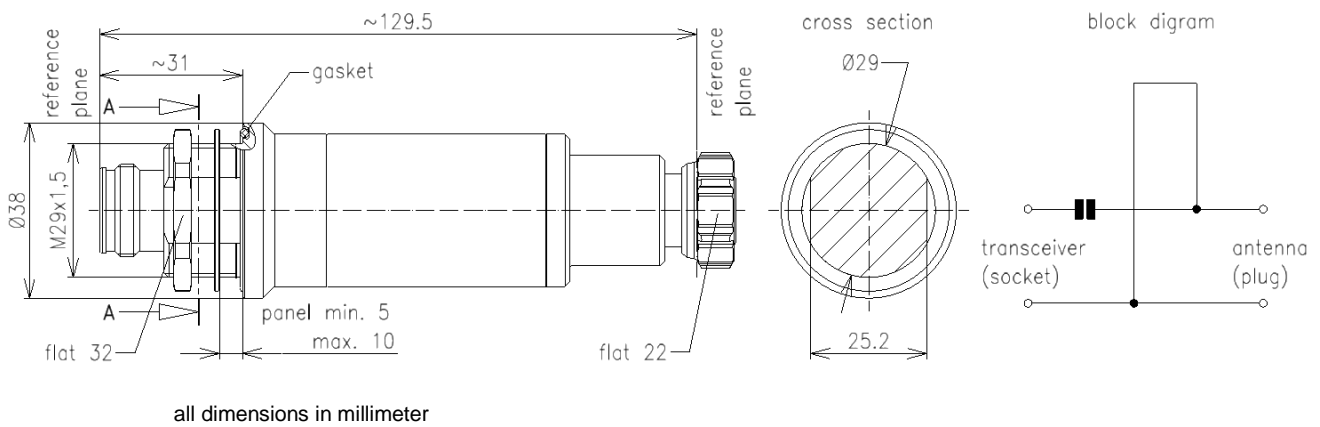


Surge Protector Type 4.3-10 || BN 766440



Radio frequency characteristics

Interface type	4.3-10 plug screw (50 Ω) per IEC 61169-54 4.3-10 socket (50 Ω) per IEC 61169-54		
Version	bulkhead mounting (potential equalization) With quarter wavelength stub and DC break		
Frequency range	698 to 3800 MHz		
VSWR, max.	1.40 @ 698 to 800 MHz	1.30 @ 800 to 850 MHz	1.20 @ 850 to 3800 MHz
Insertion loss, max.	0.1 dB		
Intermodulation (IM3) @ 2x 20W, max.	-165 dBc		
Average power rating, max.	850 W @ 698 MHz 430 W @ 2700 MHz 150 W @ 3800 MHz		
Allowed surge current	20 kA multiple (test pulse 8/20 μs)		
Residual pulse energy, max.	350 μJ (test pulse 4 kV 1.2/50 μs and 2 kA 8/20 μs)		

Mechanical characteristics

Inner conductor material / surface finish	CuBe age-hardened / silver plated copper alloy / silver plated
Outer conductor material / surface finish	copper alloy / silver plated
Other metal parts / surface finish	copper alloy / nickel plated
Insulation	PTFE
Sealing	silicone rubber
IP protection level	IP67 per EN 60529 (interface connected with appropriate gasket)
Weight, approx.	540 g

Environmental conditions

Operating temperature range	-40 to +85 °C
-----------------------------	---------------

Scope of delivery	panel sealing, washer, nut, installation and grounding instructions
--------------------------	---

SPINNER GmbH
 This document is proprietary to us.
 All rights reserved. Any use, transfer, or reproduction of this document
 or the know-how contained therein requires our express consent.

Template TD-00003F