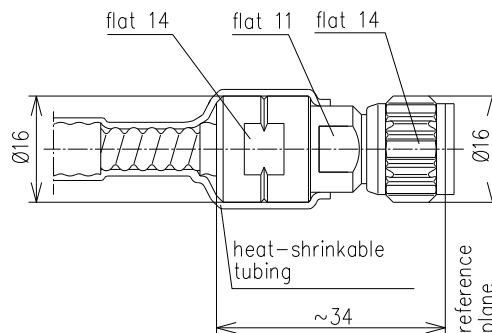


CABLE PLUG FOR SF14-50-TYPE TNC



Part number	BN 73 65 90		
Connector type	TNC plug		
Version	CAF®		
Impedance	50 Ω		
Frequency range	0 - 1 GHz	1 - 2 GHz	2 - 2.7 GHz
VSWR	≤ 1.03	≤ 1.06	≤ 1.08
Material and surface			
Inner conductor	copper alloy	gold-plated	
Outer conductor	copper alloy	silver-plated	
Other metal parts	copper alloy	bright nickel-plated	
Insulation	PTFE		
Sealing	silicone rubber, heat-shrinkable adhesive tubing		
Degree of protection	IP68 (mated)		
Cable compatibility	RFS	SCF 14-50	
Standards	IEC 60169-17		
Installation instructions	M30493		
Weight	approx. 0.06 kg		
Included in delivery	installation instructions		