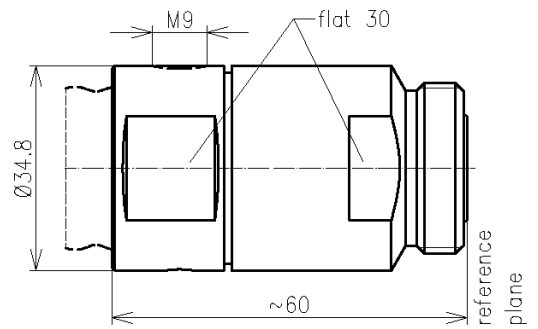


Cable Socket for cable LF 7/8"-50, Type 7-16 || BN 655640



all dimensions in millimeter

Interface type	7-16 socket (50 Ω) per IEC 61169-4	
Version	CAF®	
Frequency range	DC to 3.7 GHz	
VSWR, max. / typ.	1.02 @ DC to 1.0 GHz 1.03 @ 1.0 to 2.7 GHz 1.06 @ 2.7 to 3.7 GHz	
Inner conductor material / surface finish	copper alloy / silver plated	
Outer conductor material / surface finish	copper alloy / silver plated	
Other metal parts / surface finish	copper alloy / nickel plated	
Insulation	PTFE	
Sealing	silicone rubber, PLAST 2000®	
IP protection level	IP68 per EN 60529 (interface connected with appropriate gasket)	
Cable compatibility	RFS	LCF 78-50 A, UCF 78-50 A
Installation instructions / Product manual	M30794	
Weight, approx.	190 g	
Scope of delivery	cover ,installation instructions	

SPINNER GmbH
 This document is proprietary to us.
 All rights reserved. Any use, transfer, or reproduction of this document
 or the know-how contained therein requires our express consent.

Template TD-00003G