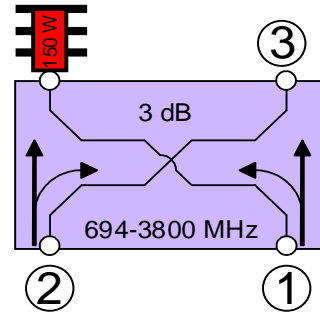


3 dB Hybrid Combiner with low IM-Load



Picture not binding



block diagram

Electrical characteristics

Part number	BN 570789
Frequency range	694-3800 MHz
Insertion loss	≤ 3.6 dB
VSWR	≤ 1.25
Isolation	≥ 23 dB @ 694 – 2700 MHz ≥ 20 dB @ 2700 – 3800 MHz
Test voltage	500 V
Impedance	50 Ohm
Passive intermodulation (IM3), 3rd order @ 2 x 2 W	≤ -150 dBc typical: ≤ -155 dBc @ 694 – 800 MHz ≤ -155 dBc typical: ≤ -160 dBc @ 800 – 2700 MHz
Special feature	DC path Port 2 → Port 3 (max. 2.5 A AISG conform)
Power Rating vertical mounting position horizontal mounting position	150 W max. per input port 120 W max. per input port

Mechanical characteristics

Connectors	4.3-10 female
Dimensions, approx.	296 mm x 167 mm x 217 mm (Width x Height x Depth)
Weight, approx.	5.5 kg
Wall / Mast mounting	Part of delivery

Environmental conditions

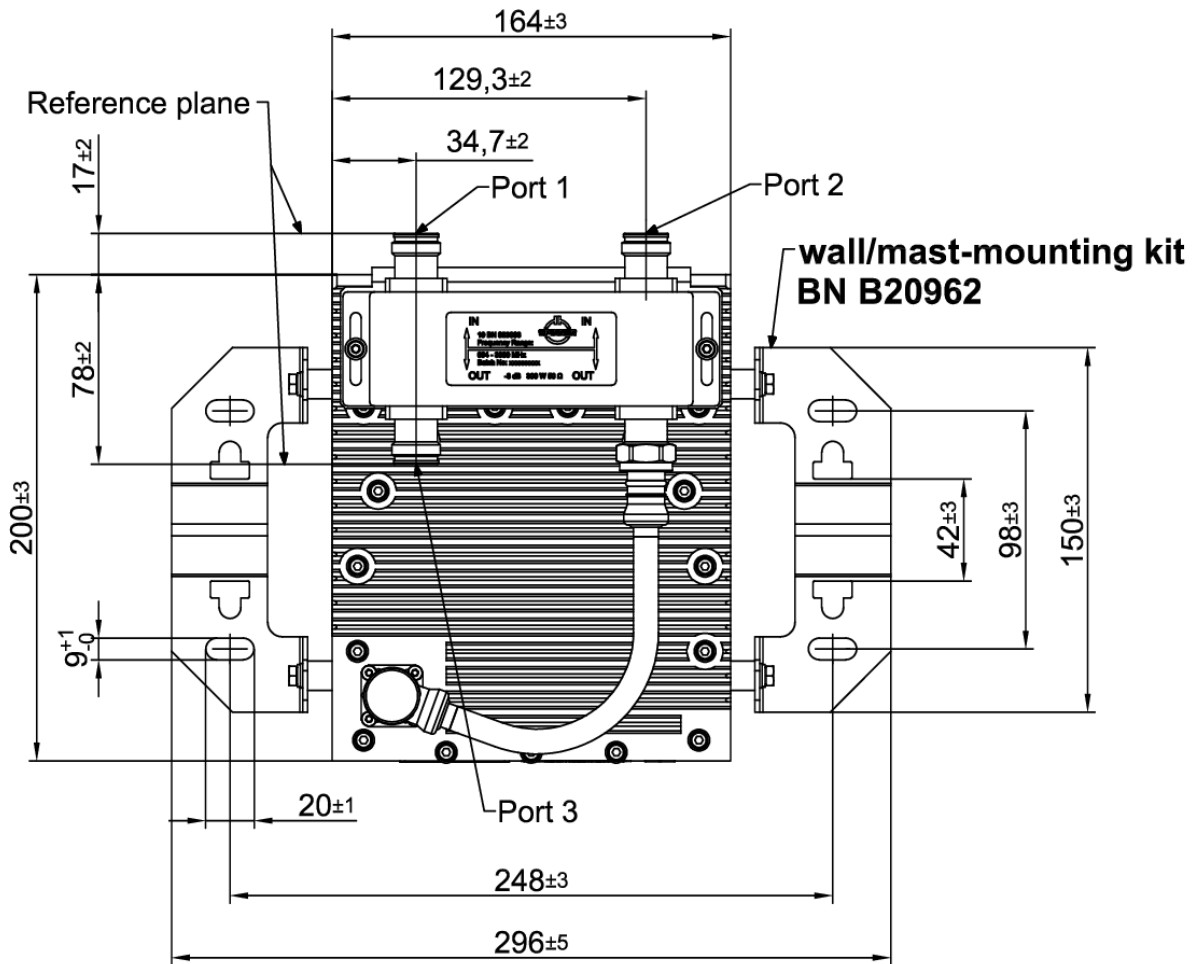
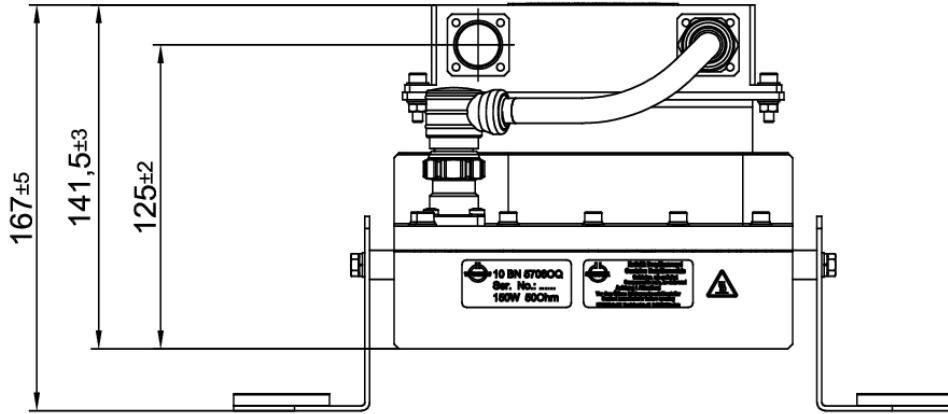
Class. of environmental conditions	ETSI EN 300019-1-1 Class 1.2 ETSI EN 300019-1-2 Class 2.3 ETSI EN 300019-1-4 Class 4.1E
Degree of protection	IP65
Operation Ambient temperature range	-40 °C to +55 °C
Storage Ambient temperature range	-55 °C to +85 °C
Relative humidity, max.	95% (non-condensing)

SPINNER GmbH
 This document is proprietary to us.
 All rights reserved. Any use, transfer, or reproduction of this document
 or the know-how contained therein requires our express consent.

Template TD-00002Y

3 dB Hybrid Combiner with low IM-Load

Outline (all dimensions in millimeter)



Standard:

4.3-10 female (50 ohms): IEC 61169-54

modifications reserved!

SPINNER GmbH
This document is proprietary to us.
All rights reserved. Any use, transfer, or reproduction of this document
or the know-how contained therein requires our express consent.

Template TD-00002Y