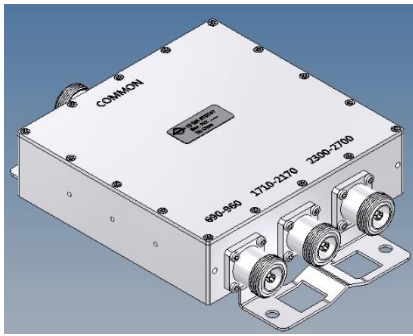
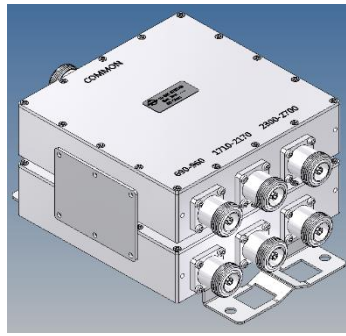


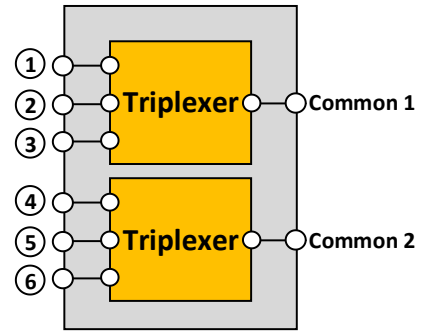
Triplexer 690 – 960 / 1710 – 2170 / 2300 – 2700 MHz



Single Unit



Double Unit



block diagram

Electrical characteristics

Part number	BN 570747	BN 570748	BN 570749	BN 570750
Version	single	double	single	double
Frequency range Port 1,4 Port 2,5 Port 3,6	690 – 960 MHz 1710 – 2170 MHz 2300 – 2700 MHz			
Insertion loss Port 1-6 → Common 1-2	≤ 0.30 dB			
VSWR	≤ 1.25 (typ. 1.2)			
Isolation	≥ 60 dB			
DC by-pass	all inputs → output (unidirectional) max. 1A per input max. 60V DC (AISG Standard, 2.0, § 6.4)			
Intermodulation products 3 rd order @ 2 x 20 W	≤ -155 dBc typical ≤ -160 dBc			
Surge Protection	3 kA (10/350 μs)			
Impedance	50 Ohm			
Power Rating	300 W (CW) max. per input port			

Mechanical characteristics

Connectors	7-16 female		4.3-10 female	
Dimensions, approx. (Excluding brackets and connectors)	182 x 51 x 178 mm (W x H x D)	182 x 111 x 178 mm (W x H x D)	182 x 51 x 178 mm (W x H x D)	182 x 111 x 178 mm (W x H x D)
Weight, approx.	3.0 kg	6.0 kg	2.8 kg	5.6 kg
Wall / Mast mounting	Part of delivery			

Environmental conditions

Class. of environmental conditions	ETSI EN 300019-1-1 Class 1.2 ETSI EN 300019-1-2 Class 2.3 ETSI EN 300019-1-4 Class 4.1E
Degree of protection	IP 67 (Outdoor)
Operation Ambient temperature range	-40 °C to +60 °C
Storage Ambient temperature range	-40 °C to +85 °C
Relative humidity, max.	95% (non-condensing)

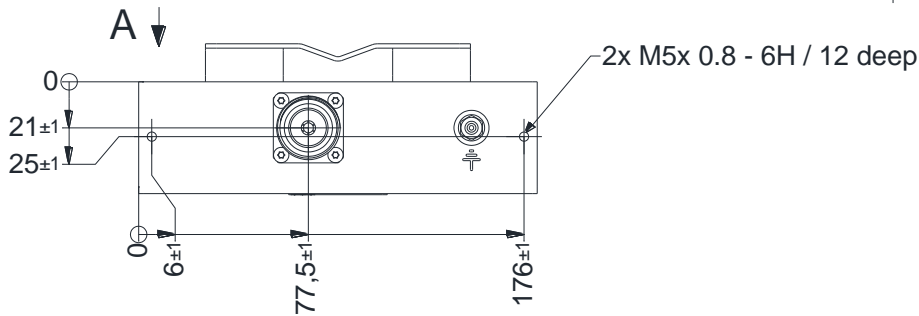
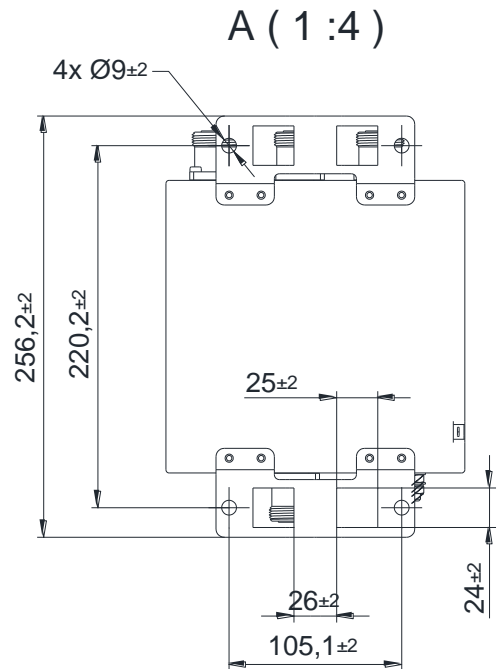
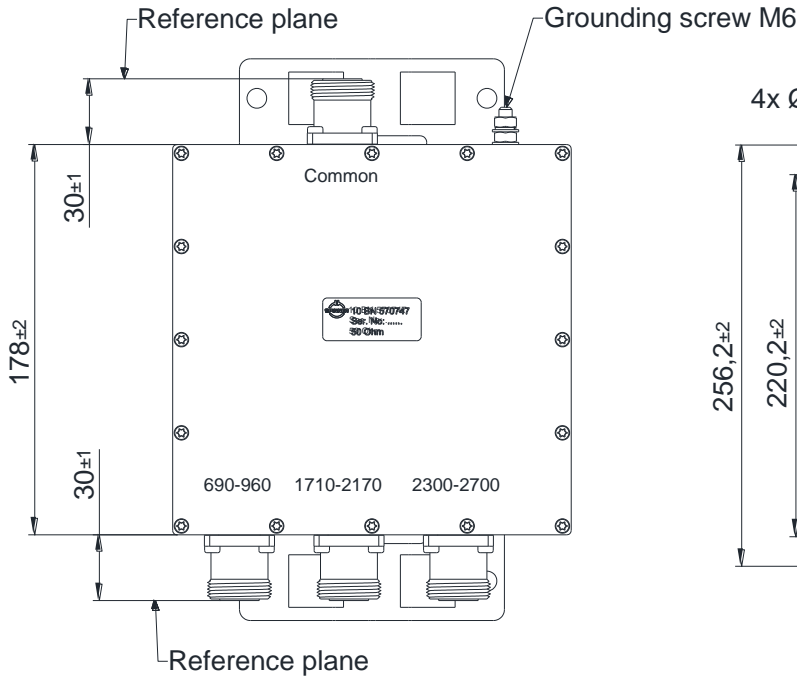
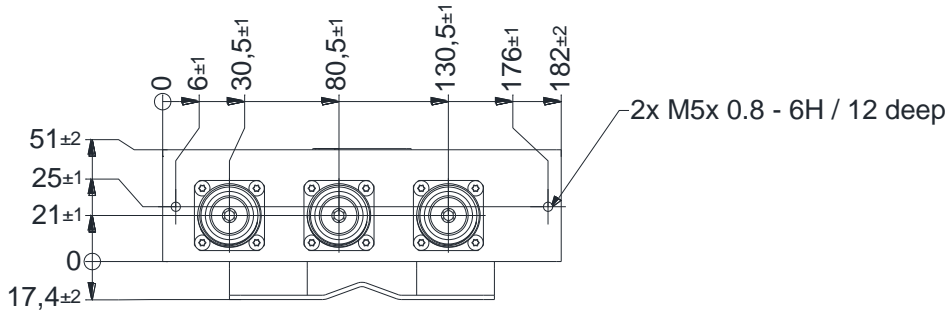
SPINNER GmbH
This document is proprietary to us.
All rights reserved. Any use, transfer, or reproduction of this document
or the know-how contained therein requires our express consent.

Template TD-00002Y

Triplexer 690 – 960 / 1710 – 2170 / 2300 – 2700 MHz

Outline (all dimensions in millimeter)

BN 570747/ single



Standard:

7-16 female (50 ohms): CECC 22190, IEC 61169-4

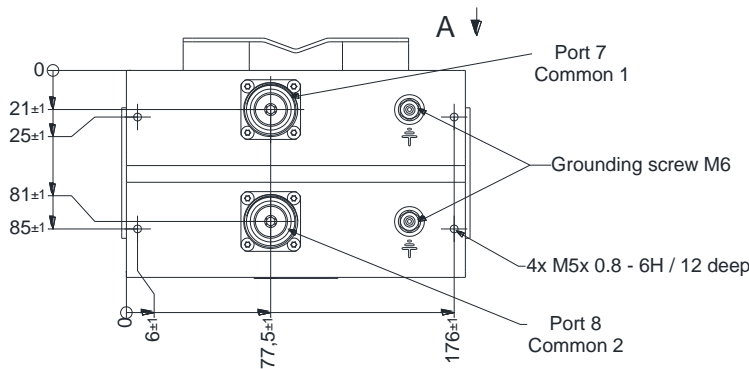
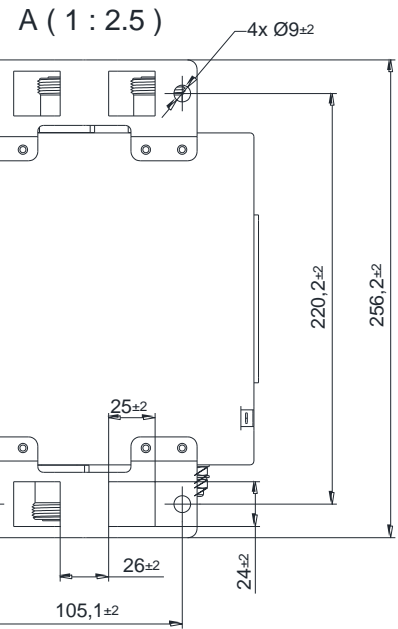
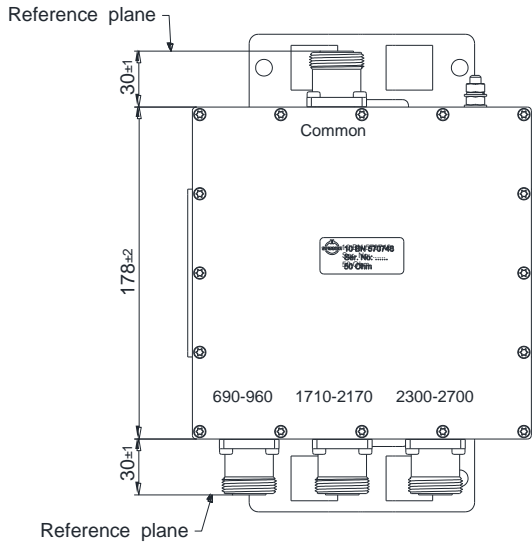
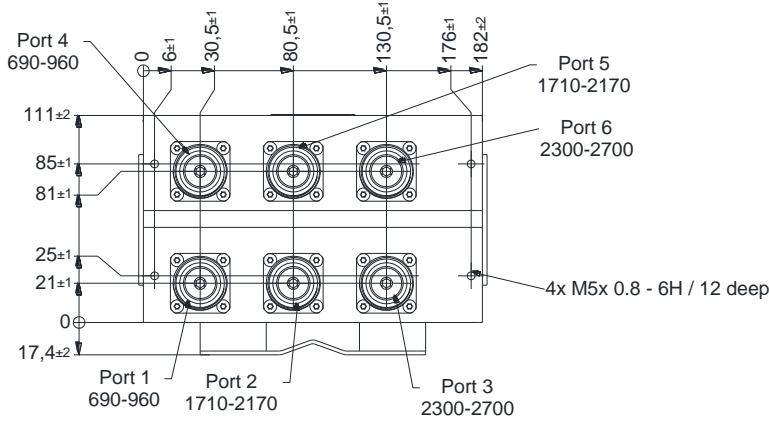
modifications reserved

SPINNER GmbH
This document is proprietary to us.
All rights reserved. Any use, transfer, or reproduction of this document
or the know-how contained therein requires our express consent.

Template TD-00002Y

Triplexer 690 – 960 / 1710 – 2170 / 2300 – 2700 MHz

BN 570748/ double



Standard:

7-16 female (50 ohms): CECC 22190, IEC 61169-4

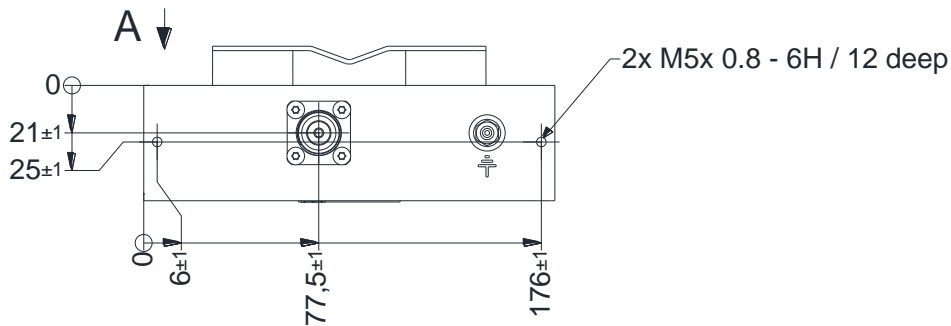
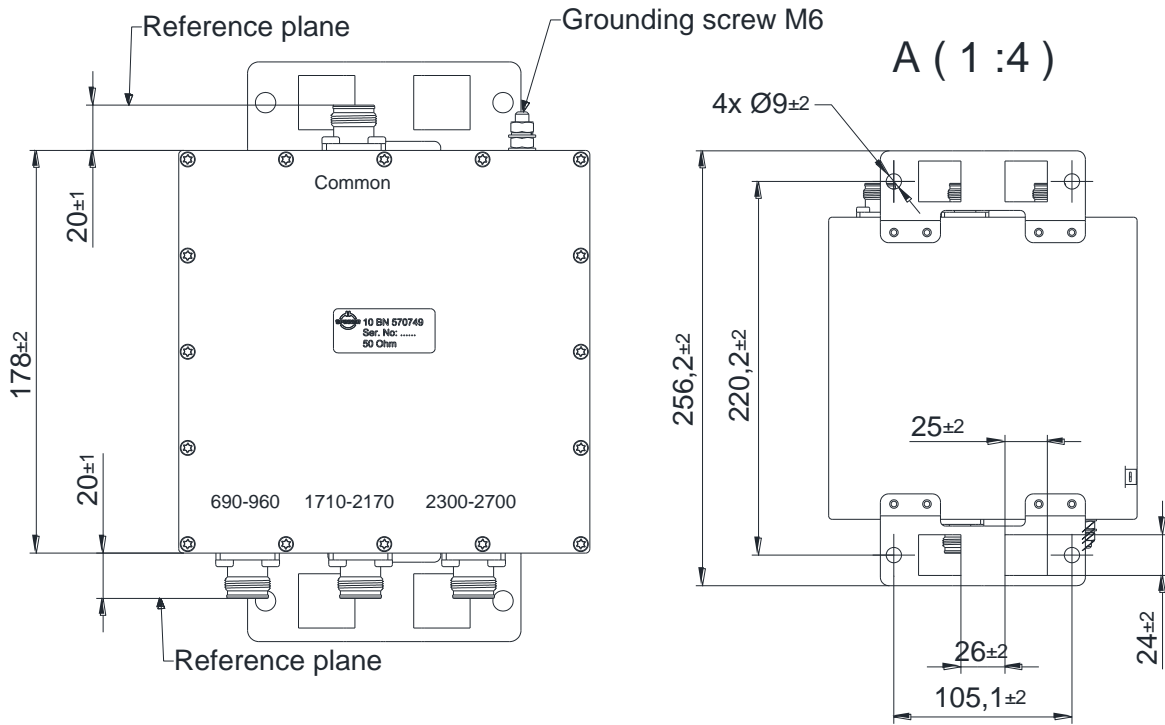
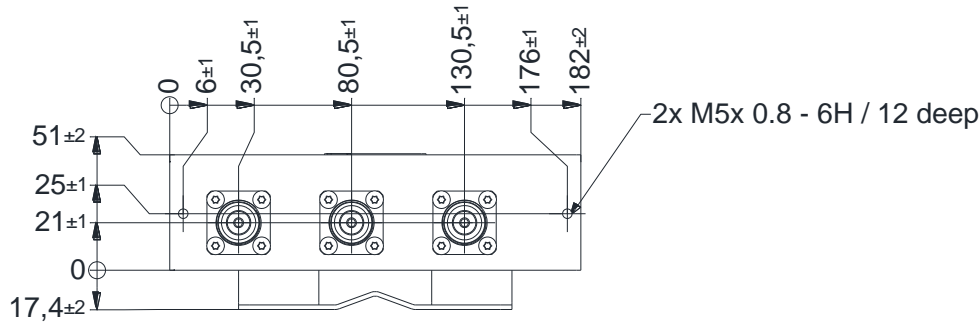
modifications reserved

SPINNER GmbH
This document is proprietary to us.
All rights reserved. Any use, transfer, or reproduction of this document
or the know-how contained therein requires our express consent.

Template TD-00002Y

Triplexer 690 – 960 / 1710 – 2170 / 2300 – 2700 MHz

BN 570749/ single



Standard:

4.3-10 female (50 ohms): IEC 61169-54

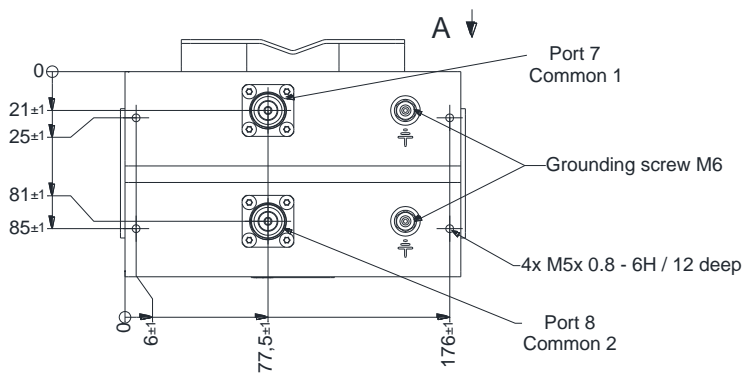
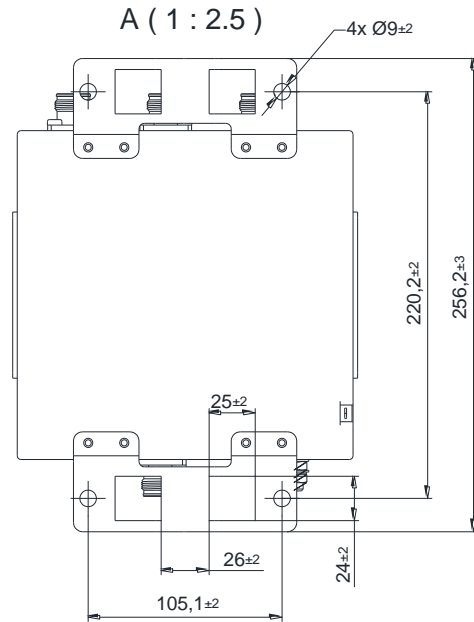
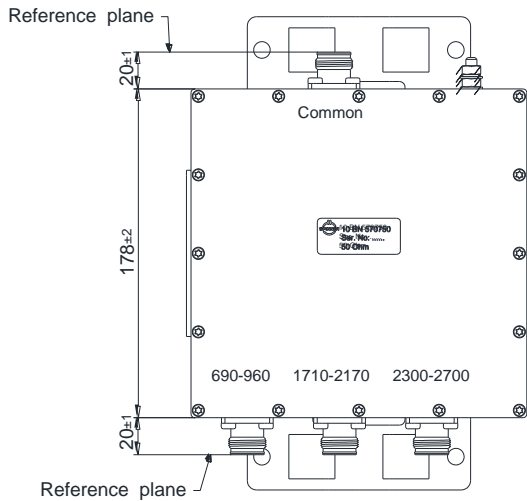
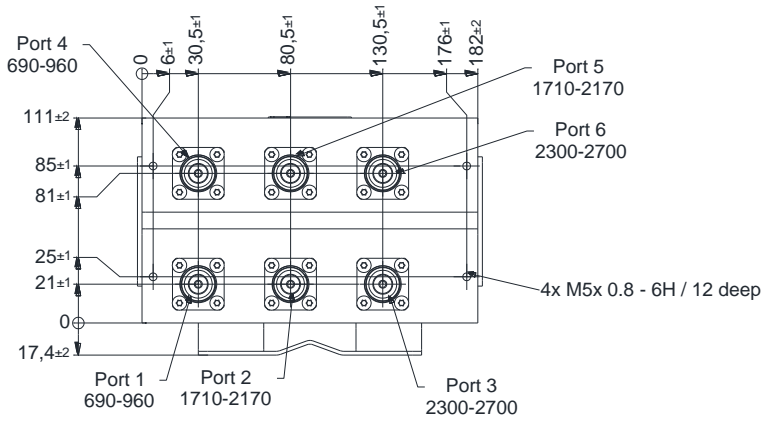
modifications reserved

SPINNER GmbH
This document is proprietary to us.
All rights reserved. Any use, transfer, or reproduction of this document
or the know-how contained therein requires our express consent.

Template TD-00002Y

Triplexer 690 – 960 / 1710 – 2170 / 2300 – 2700 MHz

BN 570750/ double



Standard:

4.3-10 female (50 ohms): IEC 61169-54

modifications reserved

SPINNER GmbH. This document is proprietary to us. All rights reserved. Any use, transfer, or reproduction of this document or the know-how contained therein requires our express consent.

Template TD-00002Y