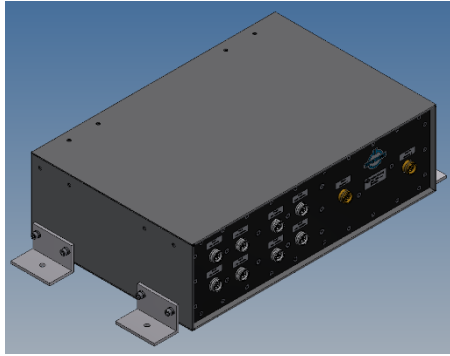
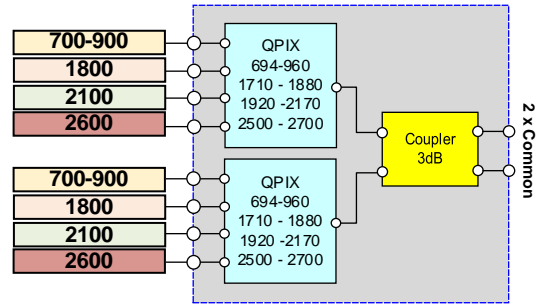


Multiband Combing System || BN 570302



Picture not binding



Block diagram

Electrical characteristics

Part number	BN 570302
Input*: Output	8 : 2
Insertion loss:	≤ 1.0 dB + 3.0 dB + /- 0.8 dB (splitting 2 common ports)
Frequency range:	
Band 1	694 – 960 MHz
Band 2	1710 – 1880 MHz
Band 3	1920 – 2170 MHz
Band 4	2500 – 2690 MHz
Impedance	50 Ohm
Isolation	
Interband	≥ 50 dB
Intraband	≥ 30 dB
Passive intermodulation (IM3), 3rd order @ 2 x 20W	-155 dBc max. / -160 dBc typ.
VSWR	1.25 typ. (1.4 max.)
Power Rating:	100 W per input port

*unused input ports must be terminated with 5W standard load 531726 (to be ordered separately).

Mechanical characteristics

Connectors	4.3-10 female
Dimensions, approx.	603.5 x 171.2 x 338 mm (Width x Height x Depth)
Weight, approx.	20 kg
Mounting	Wall mounting included

Environmental conditions

Class. of environmental conditions:	ETSI EN 300019-1-1 Class 1.2 ETSI EN 300019-1-2 Class 2.3 ETSI EN 300019-1-4 Class 4.1E
Application:	All components IP 65
Operation Ambient temperature range	-40 °C to +65 °C
Storage Ambient temperature range	-40 °C to +85 °C
Relative humidity, max.	95% (non-condensing)

Scope of delivery and accessories

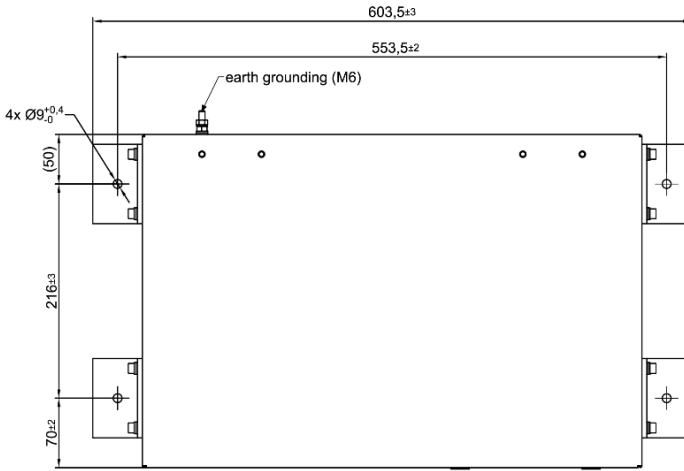
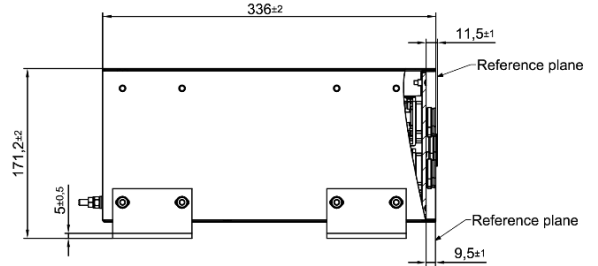
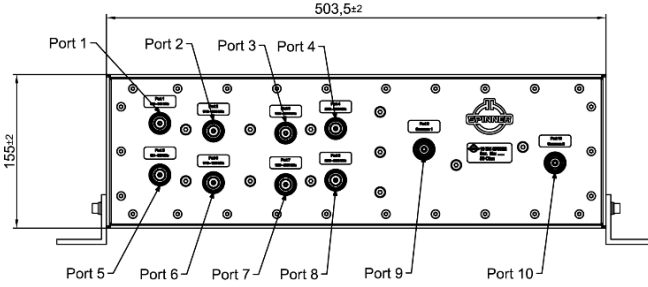
Scope of delivery	Test report, installation instructions
-------------------	--

SPINNER GmbH
 This document is proprietary to us.
 All rights reserved. Any use, transfer, or reproduction of this document
 or the know-how contained therein requires our express consent.

Template TD-00002Y

Multiband Combing System || BN 570302

Outline (all dimensions in millimeter)



No.	In-/ Output	MHz
Port 1	Input	694 - 960 MHz
Port 2	Input	1710 - 1880 MHz
Port 3	Input	1920 - 2170 MHz
Port 4	Input	2500 - 2690 MHz
Port 5	Input	694 - 960 MHz
Port 6	Input	1710 - 1880 MHz
Port 7	Input	1920 - 2170 MHz
Port 8	Input	2500 - 2690 MHz
Port 9	Output 1	Common 1
Port 10	Output 2	Common 2

Standard:

4.3-10 female (50 ohms): IEC 61169-54

modifications reserved!

SPINNER GmbH
 This document is proprietary to us.
 All rights reserved. Any use, transfer, or reproduction of this document
 or the know-how contained therein requires our express consent.