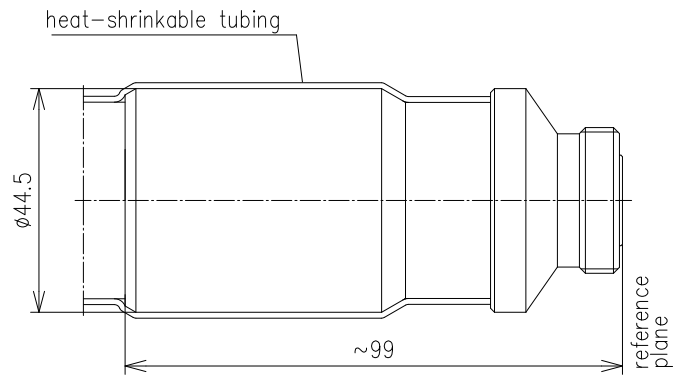


CABLE SOCKET FOR RADIATING CABLE 1 1/4"-TYPE 7-16



Part number	BN 55 71 63			
Connector type	7-16 socket			
Impedance	50 Ω			
Frequency range	0 - 0.5 GHz	0.5 - 1 GHz	1 - 2.2 GHz	2.2 - 3 GHz
VSWR	≤ 1.04	≤ 1.06	≤ 1.08	≤ 1.11
Material and surface				
Inner conductor	copper alloy		silver-plated	
Outer conductor	copper alloy CuBe		silver-plated silver-plated	
Insulation	PTFE			
Sealing	heat-shrinkable adhesive tubing			
Degree of protection	IP68 (mated)			
Cable compatibility	RFS	Radiaflex® 114-50, 114-50 A		
Standards	IEC 61169-4			
Installation instructions	M32028			
Weight	approx. 0.41 kg			
Included in delivery	installation instructions			