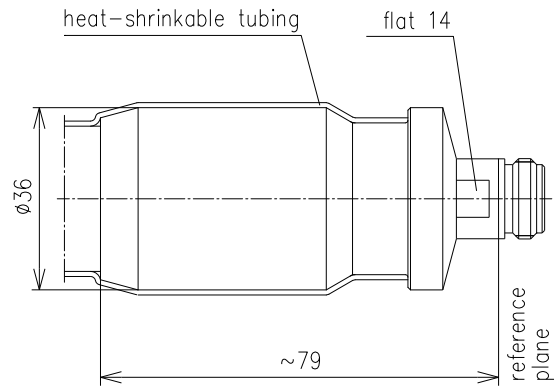


CABLE SOCKET FOR RADIATING CABLE 7/8"-50-TYPE N



Part number	BN 55 71 51		
Connector type	N socket		
Impedance	50 Ω		
Frequency range	0 - 1 GHz	1 - 2.7 GHz	2.7 - 3.8 GHz
VSWR	≤ 1.04	≤ 1.06	≤ 1.08
Material and surface			
Inner conductor	copper alloy	silver-plated	
Outer conductor	copper alloy CuBe	silver-plated silver-plated	
Insulation	PTFE		
Sealing	silicone rubber, heat-shrinkable adhesive tubing		
Degree of protection	IP68 (mated)		
Cable compatibility	RFS	Radiaflex® 78-50 A	
Standards	IEC 61169-16		
Installation instructions	M32028		
Weight	approx. 0.27 kg		
Included in delivery	installation instructions		