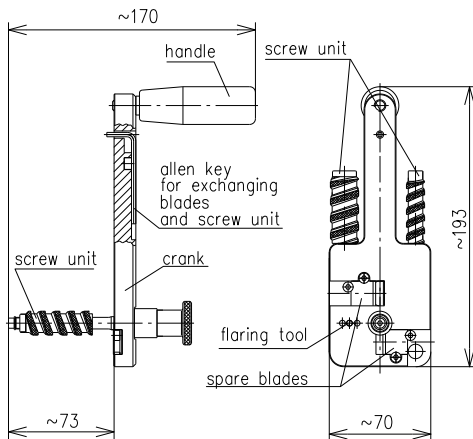


TRIMMING TOOL FOR LF 1 1/4"; LF 1 5/8"; LF 2 1/4"



<b>Part number</b>	<b>BN 54 13 43</b>	
Cable type	LF 1 1/4"; LF 1 5/8"; LF 2 1/4"	
Connector type	CAF®	
Material		
Crank	aluminium alloy	
Handle	synthetic	
Screw unit	copper alloy steel	
Blades	steel age hardened	
Cable compatibility	RFS	UCF 114-50A, LCF 158-50A, LCF 214-50A
Installation instructions	M32019	
Weight	approx. 0.75 kg	
Included in delivery	spare blades, instructions for use	