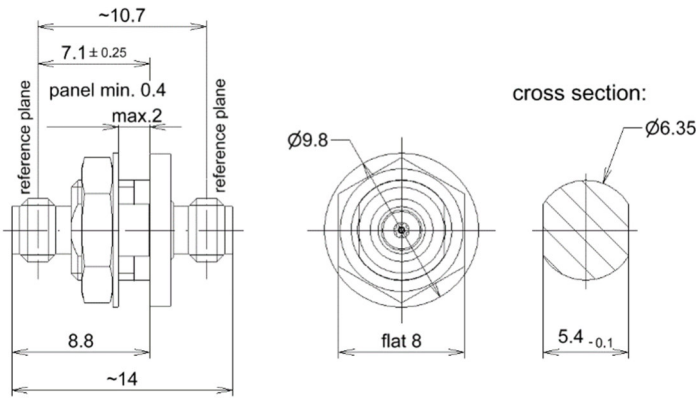


Adapter, 1.0 mm Socket, Panel Mount || BN 534999



all dimensions in millimeter

Radio frequency characteristics

Interface type	1.0 mm socket (50 Ω) per IEC 61169-31
Frequency range	DC to 120 GHz (resonance free)
Return loss, min.	24 dB @ DC to 26.5 GHz 18 dB @ 26.5 to 70 GHz 15 dB @ 70 to 90 GHz 12 dB @ 90 to 110 GHz

Mechanical characteristics

Inner conductor material / surface finish	CuBe age-hardened / gold plated
Outer conductor material / surface finish	copper alloy / CuSnZn plated
Other metal parts / surface finish	copper alloy / nickel plated
Insulation	PS
Weight, approx.	10 g
Marking	laser engraving

Environmental conditions

Operating temperature range	+5 to +40°C
Storage temperature range	-40 to +70°C

SPINNER GmbH | This document is proprietary to us. All rights reserved. Any use, transfer, or reproduction of this document or the know-how contained therein requires our express consent.