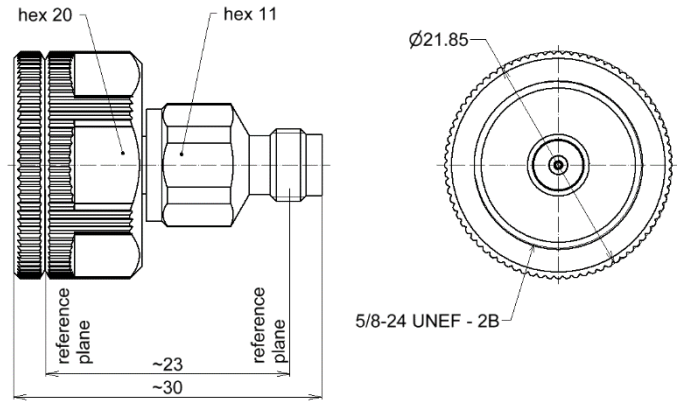


Precision Adaptor || BN 534992



all dimensions in millimeter

Radio frequency characteristics

Interface type	1.85 mm socket ruggedized / 1.85 mm socket per IEC 61169-31
Frequency range	DC to 70 GHz
Impedance	50 Ω
Return loss, min.	32 dB @ DC to 4 GHz 30 dB @ 4 to 26.5 GHz 25 dB @ 26.5 to 40 GHz 23 dB @ 40 to 55 GHz 21 dB @ 55 to 70 GHz

Mechanical characteristics

Center conductor material / surface finish	CuBe age hardened / gold-plated
Outer conductor material / surface finish	CuBe / gold-plated
Insulation	PS
Weight, approx.	0.04 kg
Marking	laser engraving

Environmental conditions

Operation	
Ambient temperature range	+18 to +28°C
Storage	
Ambient temperature range	-40 to +70°C
Relative humidity	95% (non-condensing)

Scope of delivery and accessories

Packaging	protective caps
-----------	-----------------

SPINNER GmbH
 This document is proprietary to us.
 All rights reserved. Any use, transfer, or reproduction of this document
 or the know-how contained therein requires our express consent.