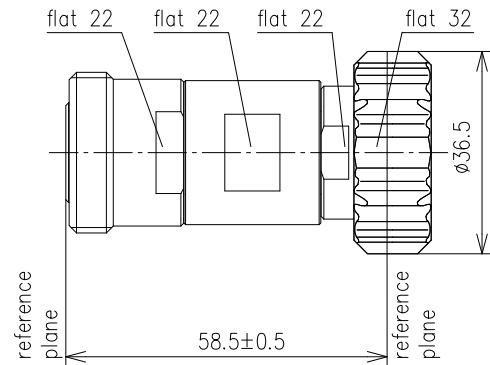


COAXIAL ATTENUATOR



Part number	BN 53 43 64		
Connector type	7-16 plug / 7-16 socket		
Power rating	5 Watt max. 1)		
Impedance	50 Ω		
Frequency range	0 - 1 GHz	1 - 2.2 GHz	2.2 - 3 GHz
VSWR	≤ 1.04	≤ 1.08	≤ 1.1
Attenuation	20 ± 0.5 dB		
Material and surface			
Inner conductor	CuBe age hardened copper alloy	silver-plated	
Outer conductor	copper alloy	silver-plated	
Other metal parts	copper alloy	nickel-plated	
Insulation	PTFE		
Sealing	silicone rubber		
Degree of protection	IP65		
Standards	IEC 61169-4		
Ambient temperature	-40 $^{\circ}\text{C}$ - +25 $^{\circ}\text{C}$ full power 1)		
Weight	approx. 0.22 kg		
Operation position	any		

1) The maximum power handling is reduced with rising ambient temperatures as follows

