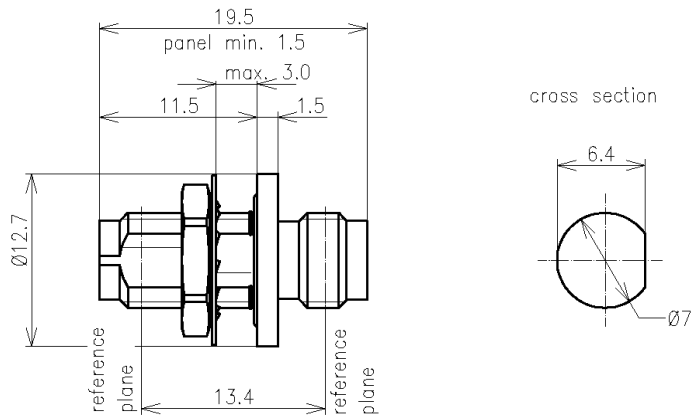


Fixed Adaptor, Type 2.4 mm || BN 533713



all dimensions in millimeter

Interface type	2.4 mm socket (50 Ω) per IEC 61169-40
Frequency range	DC to 50 GHz
Return loss, min.	27 dB @ DC to 10 GHz 24 dB @ 10 to 26.5 GHz 20 dB @ 26.5 to 50 GHz
Inner conductor material / surface finish	CuBe age-hardened / gold plated
Outer conductor material / surface finish	copper alloy / CuSnZn plated
Other metal parts / surface finish	copper alloy / nickel plated stainless steel / no finish
Insulation	PS
Sealing	silicone rubber
IP protection level	IP40 per EN 60529
Weight, approx.	6 g
Scope of delivery	protective caps, nut, toothed washer, o-ring

SPINNER GmbH
 This document is proprietary to us.
 All rights reserved. Any use, transfer, or reproduction of this document
 or the know-how contained therein requires our express consent.