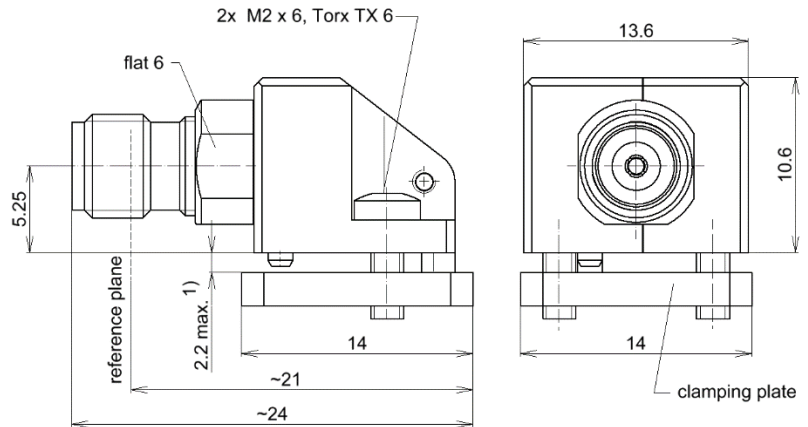


PCB-Launch Connector “SPINNER EasyLaunch” || BN 533410C0001



all dimensions in millimeter

**Radio frequency characteristics**

Interface type	2.92 mm socket per IEEE 287
Frequency range	DC to 40 GHz
Impedance	50 Ω
Return loss, typ.	25 dB @ DC to 10 GHz
	21 dB @ 10 to 26.5 GHz
	19 dB @ 26.5 to 40 GHz

**Mechanical characteristics**

Center conductor material / surface finish	CuBe age hardened / gold-plated
Outer conductor material / surface finish	CuBe, copper alloy / gold-plated
Insulation	PS, PEI
Other metallic parts / surface finish	copper alloy / nickel-plated
Installation type	solderless
PCB Thickness 1)	max. 2.2 mm

1) permissible max. PCB thickness expandable with longer screws

**Environmental conditions**

<b>Operation</b>	
Ambient temperature range	-40 to +70°C

**Applicable documents**

PCB-Layouts	62424
Mechanical PCB-Design	D04825-0E
Installation instruction	M36456

This document is proprietary to us. All rights reserved. Any use, transfer, or reproduction of this document or the know-how contained therein requires our express consent.

SPINNER GmbH  
 Template TD-00002Y