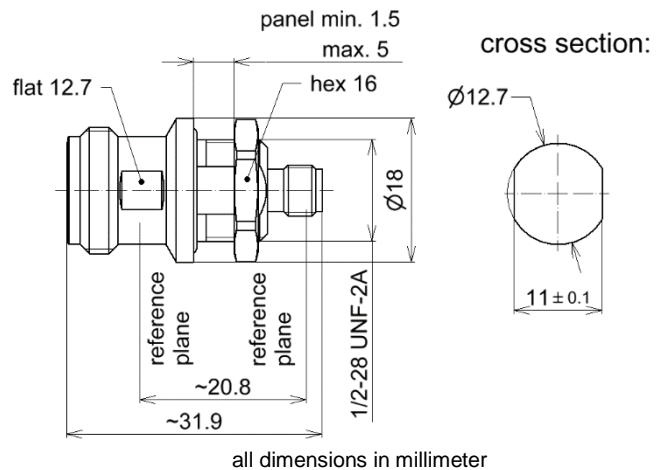


## Adapter; N socket to SMA socket | BN 533196



## Radio frequency characteristics

Interface type	N socket per IEC 61169-16 SMA socket per IEC 61169-15
Frequency range	DC to 18 GHz
Characteristic impedance	50 Ω
VSWR, max.	1.07 + 0.02 x f [GHz]

## Mechanical characteristics

Inner conductor material / surface coating	CuBe age hardened / gold-plated
Outer conductor material / surface coating	stainless steel (X2CrNiMo17-12-2) / passivated
Dielectric material	PTFE
Sealing material	silicone rubber
Other parts material / surface coating	stainless steel (X2CrNiMo17-12-2) / no finish
IP protection level	IP 68 per EN 60529 (panel sealed up to 2 bar / 200 kPa, interface connected with appropriate gasket)
Version	bulkhead seawater resistant
Weight, approx.	25 g
Marking	laser engraving

## Environmental conditions

<b>Operation</b>	
Ambient temperature range	-30 to +85°C
Relative humidity, max.	100%

## Scope of delivery and accessories

Scope of delivery	protective caps, nut, O-ring
-------------------	------------------------------