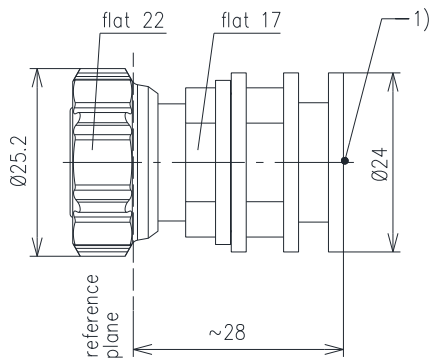


Load Type 4.3-10 || BN 531726, 531726C0001



all dimensions in millimeter

	BN 531726	BN 531726C0001
Interface type	4.3-10 plug screw (50 Ω) per IEC 61169-54	
Frequency range	DC to 7 GHz	
VSWR, max.	1.06 @ DC to 1 GHz 1.11 @ 1 to 2 GHz 1.17 @ 2 to 5 GHz 1.22 @ 5 to 7 GHz	
Average power capability, max.	5 W 2)	4 W 2)
Inner conductor material / surface finish	CuBe age-hardened / silver plated	
Outer conductor material / surface finish	copper alloy / CuSnZn plated	
Heat sink	aluminum / painted black (RAL9005 black)	copper alloy / painted black (RAL9005 black)
Other metal parts / surface finish	copper alloy / bright nickel plated	
Insulation	PTFE	
IP protection level	IP68 per EN 60529 (barrier and mating face sealed)	
Weight, approx.	55 g	77 g
Operating position	any	

1) Measuring point for surface temperature

2) The maximum power handling is reduced with rising ambient temperatures as follows

