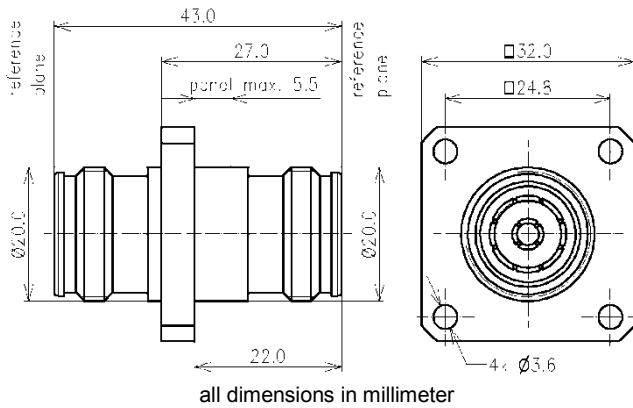


Adaptor Socket - Socket Type 4.3-10 || BN 432052



Interface type	4.3-10 socket / socket (50 $\Omega$ ) per IEC 61169-54
Version	4 hole flange
VSWR, max.	1.02 @ DC to 2 GHz 1.04 @ 2 to 3 GHz 1.08 @ 3 to 6 GHz
Frequency range	DC to 6 GHz
Intermodulation (IM3) @ 2 x 20 W, max.	-166 dBc
Inner conductor material / surface finish	copper alloy / silver plated
Outer conductor material / surface finish	copper alloy / silver plated copper alloy / CuSnZn plated
Other metal parts / surface finish	copper alloy / CuSnZn plated
Insulation	PTFE
Sealing	silicone rubber
IP protection level	IP68 per EN 60529 (interface connected with appropriate gasket)
Weight, approx.	90 g