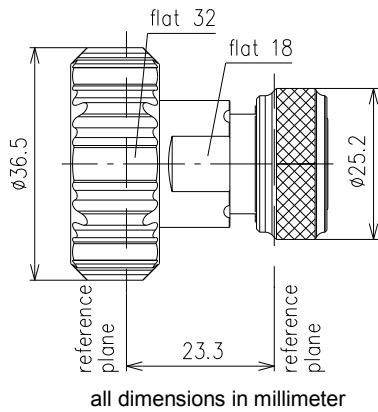


Inter-Series Adapter Type 7-16 Plug to 4.3-10 Plug || BN 432007



Interface type	7-16 plug (50 Ω) per IEC 61169-4 4.3-10 plug hand screw (50 Ω) per IEC 61169-54
VSWR, max.	1.02 @ DC to 2 GHz 1.04 @ 2 to 3 GHz 1.08 @ 3 to 6 GHz
Frequency range	DC to 6 GHz
Intermodulation (IM3) @ 2 x 20 W, max.	-165 dBc
Inner conductor material / surface finish	copper alloy / silver plated
Outer conductor material / surface finish	copper alloy / silver plated copper alloy / CuSnZn plated
Other metal parts / surface finish	copper alloy / bright nickel plated
Insulation	PTFE
Sealing	silicone rubber
IP protection level	IP68 per EN 60529 (barrier and mating face sealed)
Weight, approx.	95 g