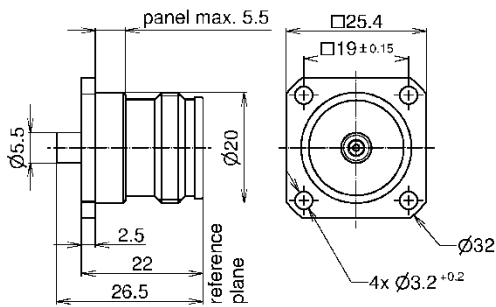


Fixed Socket for RG 402/U, Type 4.3-10 || BN 431404



all dimensions in millimeter

Interface type	4.3-10 socket (50 Ω) per IEC 61169-54
Version	4-hole flange, soldered
Frequency range	DC to 6 GHz
VSWR, max. / typ.	1.02 @ DC to 1.0 GHz 1.04 @ 1.0 to 2.2 GHz 1.10 @ 2.2 to 3.8 GHz 1.15 @ 3.8 to 6.0 GHz
Intermodulation (IM3) @ 2x20 W, max.	-166 dBc
Inner conductor material / surface finish	copper alloy / silver plated
Outer conductor material / surface finish	copper alloy / silver plated
Insulation	PTFE
IP protection level	IP68 per EN 60529 (interface connected with appropriate gasket)
Contact captivation torque	15 Ncm
Cable compatibility	RG-402/U, semirigid flexible 141-50
Installation instructions / Product manual	M36297
Weight, approx.	40 g
Scope of delivery	Inner conductor added separately, installation instructions

SPINNER GmbH
 This document is proprietary to us.
 All rights reserved. Any use, transfer, or reproduction of this document
 or the know-how contained therein requires our express consent.