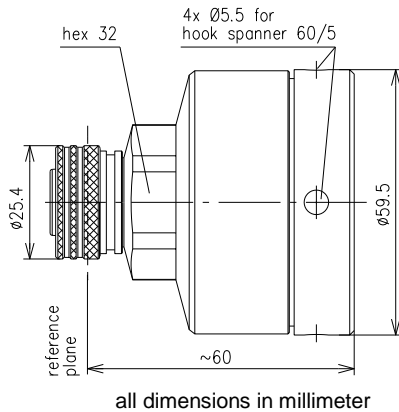


Cable Plug for LF 1 5/8"-50, Type 4.3-10 || BN 431128



Interface type	4.3-10 plug push-pull (50 Ω) per IEC 61169-54	
Version	MultiFit	
Frequency range	DC to 2.75 GHz	
VSWR, max. / typ.	1.02 @ DC to 1.00 GHz 1.03 @ 1.0 to 2.20 GHz 1.06 @ 2.2 to 2.75 GHz	
Inner conductor material / surface finish	copper alloy / silver plated	
Outer conductor material / surface finish	copper alloy / CuSnZn plated	
Other metal parts / surface finish	copper alloy / Sn plated copper alloy / CuSnZn plated copper alloy / nickel plated	
Insulation	PTFE	
Sealing	silicone rubber	
IP protection level	IP68 per EN 60529 (barrier and mating face sealed)	
Cable compatibility	SPINNER Acome Andrew Draka Eupen Hansen Leoni LS Cable RFS	SPINNERFlex™ LF 1 5/8"-50 HPL50-1 5/8 F AVA7-50 RFA 1 5/8"-50, RFA 1 5/8"-50 AL EC7-50-A RF 50 1 5/8" FlexLine 1 5/8" R Low Loss LHF 42D Low Loss, HFC 42D Flexible Foam LCF 158-50 A, LCF 158-50 L
Installation instructions / Product manual	M32126	
Weight, approx.	400 g	
Scope of delivery	installation instructions	

SPINNER GmbH  
 This document is proprietary to us.  
 All rights reserved. Any use, transfer, or reproduction of this document  
 or the know-how contained therein requires our express consent.