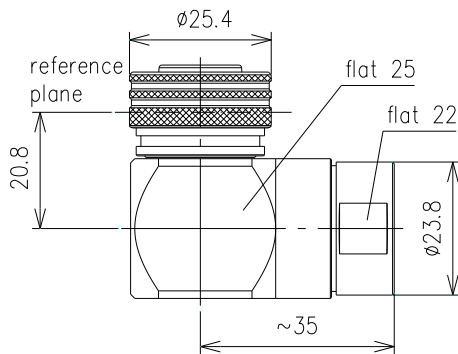


Right Angle Cable Plug for LF 1/2"-50, Type 4.3-10 || BN 431121



all dimensions in millimeter

| | | |
|---|---|--|
| Interface type | 4.3-10 plug push-pull (50Ω) per IEC 61169-54 | |
| Version | MultiFit™ | |
| Frequency range | DC to 3.8 GHz | |
| VSWR, max. | 1.03 @ DC to 1.0 GHz 1.08 @ 1.0 to 2.7 GHz 1.10 @ 2.7 to 3.8 GHz | |
| Inner conductor material / surface finish | copper alloy / silver plated | |
| Outer conductor material / surface finish | copper alloy / CuSnZn plated | |
| Other metal parts / surface finish | copper alloy / bright nickel plated copper alloy / Sn plated copper alloy / CuSnZn plated | |
| Insulation | PTFE | |
| Sealing | silicone rubber | |
| Degree of protection | 4.3-10 plug: IP68 per EN 60529 (barrier and mating face sealed) | |
| Cable compatibility | Spinner Acome Andrew Draka Eupen Hansen Hengxin Leoni LS Cables RFS | SPINNERFlex™ LF1/2"-50 HPL50-1/2F LDF4-50A RFA 1/2"-50 EC4-50 RF 50 1/2" HCAAY-50-12 FlexLine 1/2" R HFC 12D Flexible Foam LCF 12-50, LCF 12-50 L |
| Installation instructions | M32130 | |
| Weight, approx. | 165 g | |
| Included in delivery | Installation instructions | |

SPINNER GmbH
 This document is proprietary to us.
 All rights reserved. Any use, transfer, or reproduction of this document
 or the know-how contained therein requires our express consent.

Template TD-00003F