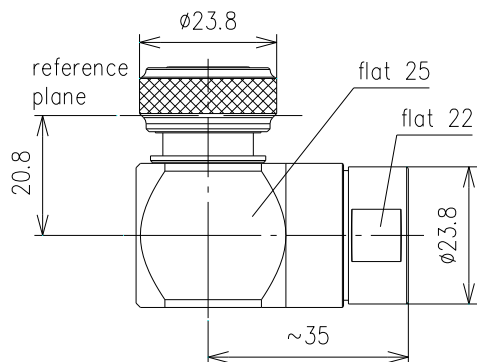


Right Angle Cable Plug for LF 1/2"-50, Type 4.3-10 || BN 431119



all dimensions in millimeter

Interface type	4.3-10 plug hand screw (50Ω) per IEC 61169-54	
Version	MultiFit™	
Frequency range	DC to 3.8 GHz	
VSWR, max.	1.03 @ DC to 1.0 GHz 1.08 @ 1.0 to 2.7 GHz 1.10 @ 2.7 to 3.8 GHz	
Inner conductor material / surface finish	copper alloy / silver plated	
Outer conductor material / surface finish	copper alloy / CuSnZn plated	
Other metal parts / surface finish	copper alloy / bright nickel plated copper alloy / Sn plated copper alloy / CuSnZn plated	
Insulation	PTFE	
Sealing	silicone rubber	
Degree of protection	4.3-10 plug: IP68 per EN 60529 (barrier and mating face sealed)	
Cable compatibility	Spinner Acome Andrew Draka Eupen Hansen Hengxin Leoni LS Cables RFS	SPINNERFlex™ LF1/2"-50 HPL50-1/2F LDF4-50A RFA 1/2"-50 EC4-50 RF 50 1/2" HCAAY-50-12 FlexLine 1/2" R HFC 12D Flexible Foam LCF 12-50, LCF 12-50 L
Installation instructions	M32130	
Weight, approx.	165 g	
Included in delivery	installation instructions	

SPINNER GmbH
 This document is proprietary to us.
 All rights reserved. Any use, transfer, or reproduction of this document
 or the know-how contained therein requires our express consent.

Template TD-00003F