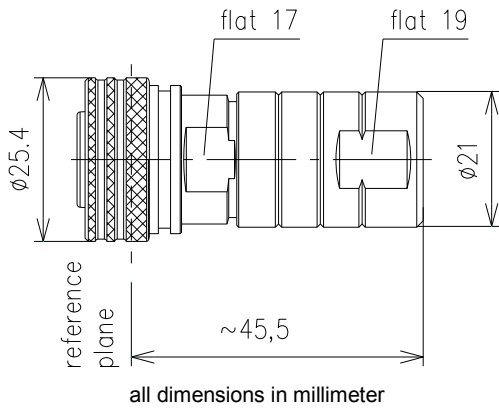


Cable Plug for cable SF 3/8"-50, Type 4.3-10 || BN 431106



Interface type	4.3-10 plug push-pull (50 Ω) per IEC 61169-54	
Version	CAF®	
VSWR, max.	1.02 @ DC to 1 GHz 1.03 @ 1 to 2.7 GHz 1.08 @ 2.7 to 3.8 GHz 1.14 @ 3.8 to 6 GHz	
Frequency range	DC to 6 GHz	
Inner conductor material / surface finish	copper alloy / silver plated	
Outer conductor material / surface finish	copper alloy / CuSnZn plated	
Other metal parts / surface finish	copper alloy / bright nickel plated copper alloy / CuSnZn plated	
Insulation	PTFE	
Sealing	silicone rubber	
IP protection level	IP68 per EN 60529 (barrier and mating face sealed)	
Cable compatibility	RFS	SCF38-50
Installation instructions / Product manual	M30783	
Weight, approx.	105 g	
Scope of delivery	installation instructions	