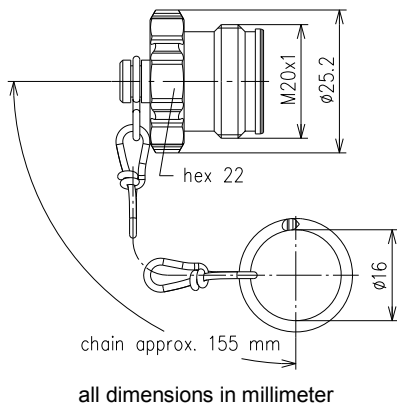


Protective Cap for 4.3-10 plug || BN 239020



Suitable Interface type	4.3-10 plug screw / hand screw / push-pull (50 Ω) per IEC 61169-54
Cap material / surface finish	copper alloy / bright nickel plated
Other metal parts / surface finish	stainless steel / no finish
IP protection level	IP68 per EN 60529 (interface connected with appropriate gasket)
Weight, approx.	30 g