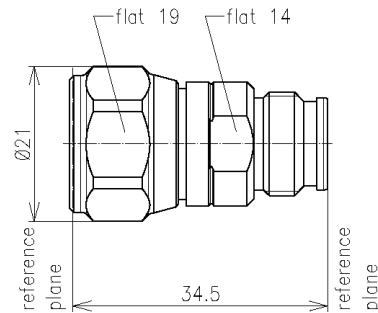


Inter-Series Adapter Type N Plug to 2.2-5 Socket || BN 225015



all dimensions in millimeter

Interface type	N plug (50 Ω) per IEC 61169-16 2.2-5 socket (50 Ω) per IEC 61169-66
Frequency range	DC to 6 GHz
VSWR, max. / typ.	1.04 @ DC to 2 GHz 1.06 @ 2 to 4 GHz 1.10 @ 4 to 6 GHz
Intermodulation (IM3) @ 2x 20W, max.	-165 dBc
Inner conductor material / surface finish	copper alloy / silver plated
Outer conductor material / surface finish	copper alloy / CuSnZn plated
Other metal parts / surface finish	copper alloy / nickel plated
Insulation	PTFE
Sealing	silicone rubber
IP protection level	IP68 per EN 60529 (barrier and mating face sealed)
Weight, approx.	40 g

SPINNER GmbH | This document is proprietary to us. All rights reserved. Any use, transfer, or reproduction of this document or the know-how contained therein requires our express consent.