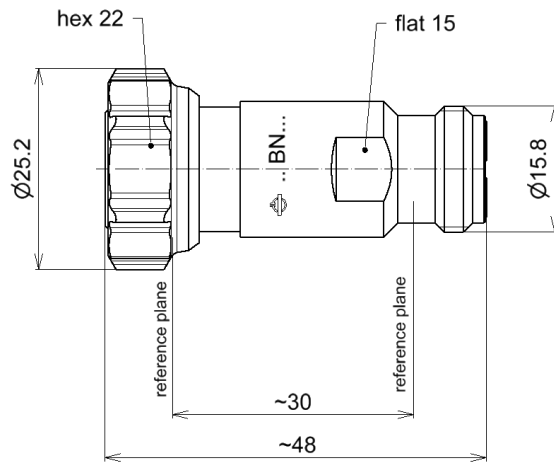


PRECISION INTER-SERIES ADAPTOR || BN 194443



all dimensions in millimeter

SPINNER GmbH | This document is proprietary to us. All rights reserved. Any use, transfer, or reproduction of this document or the know-how contained therein requires our express consent.

**Radio frequency characteristics**

Interface type	4.3-10 plug per IEC 61169-54 / N socket per IEC 61169-16				
Frequency range	DC to 12 GHz				
Impedance	50 Ω				
Return loss, min.	40 dB	@	DC	to	2 GHz
	36 dB	@	2	to	6 GHz
	30 dB	@	6	to	12 GHz

**General mechanical data**

Center conductor material / surface finish	CuBe age hardened / gold-plated
Outer conductor material / surface finish	copper alloy / gold-plated
Insulation	cross linked polystyrene
Other metallic parts / surface finish	copper alloy / nickel-plated
Weight, approx.	60 g

**General environmental conditions**

<b>Operation</b>	
Ambient temperature range	+18 to +28°C
<b>Storage</b>	
Ambient temperature range	-40 to +70°C

**Scope of delivery and accessories**

Scope of delivery	protective caps
-------------------	-----------------