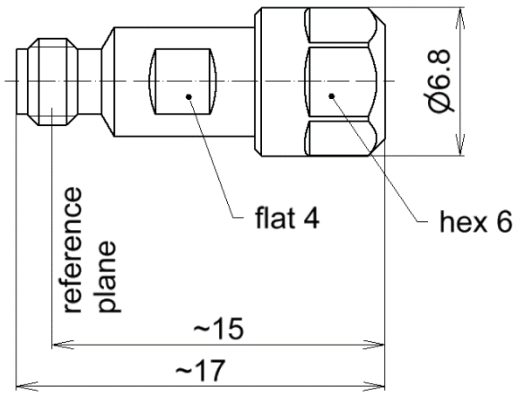


Type 1.0 mm Socket for cable UT-047 || BN 533188



all dimensions in millimeter

**Radio frequency characteristics**

|                         |   |
|-------------------------|---|
| Interface type          | 1.0 mm socket per IEC 61169-31                                |
| Frequency range         | DC to 110 GHz   |
| Impedance               | 50 Ω  |
| Return loss min. / typ. | 17 dB / 20 dB @ DC to 90 GHz<br>15 dB / 17 dB @ 90 to 110 GHz |

**Mechanical characteristics**

|   |  |
|---|--|
| Inner conductor material / surface finish | CuBe age hardened / gold plated                              |
| Outer conductor material / surface finish | copper alloy / gold plated                                   |
| Other metal parts / surface finish        | copper alloy / nickel plated<br>copper alloy / silver plated |
| Insulation                                | PS, PEI  |
| Version                                   | solder   |
| Cable compatibility                       | UT-047   |

**Environmental conditions**

|                             |               |
|-----------------------------|---------------|
| Operating temperature range | -40 to +70 °C |
|-----------------------------|---------------|

**Scope of delivery and accessories**

|                           |        |
|---------------------------|--------|
| installation instructions | M36501 |
|---------------------------|--------|

SPINNER GmbH  
 This document is proprietary to us.  
 All rights reserved. Any use, transfer, or reproduction of this document  
 or the know-how contained therein requires our express consent.