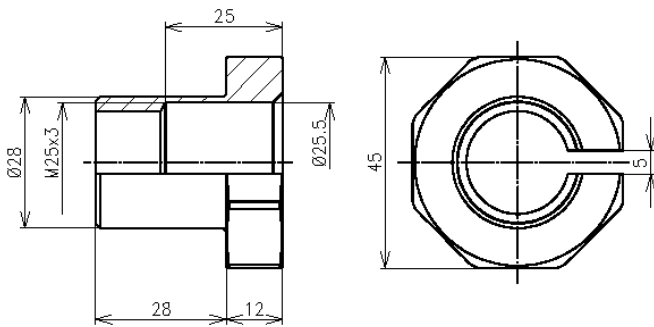


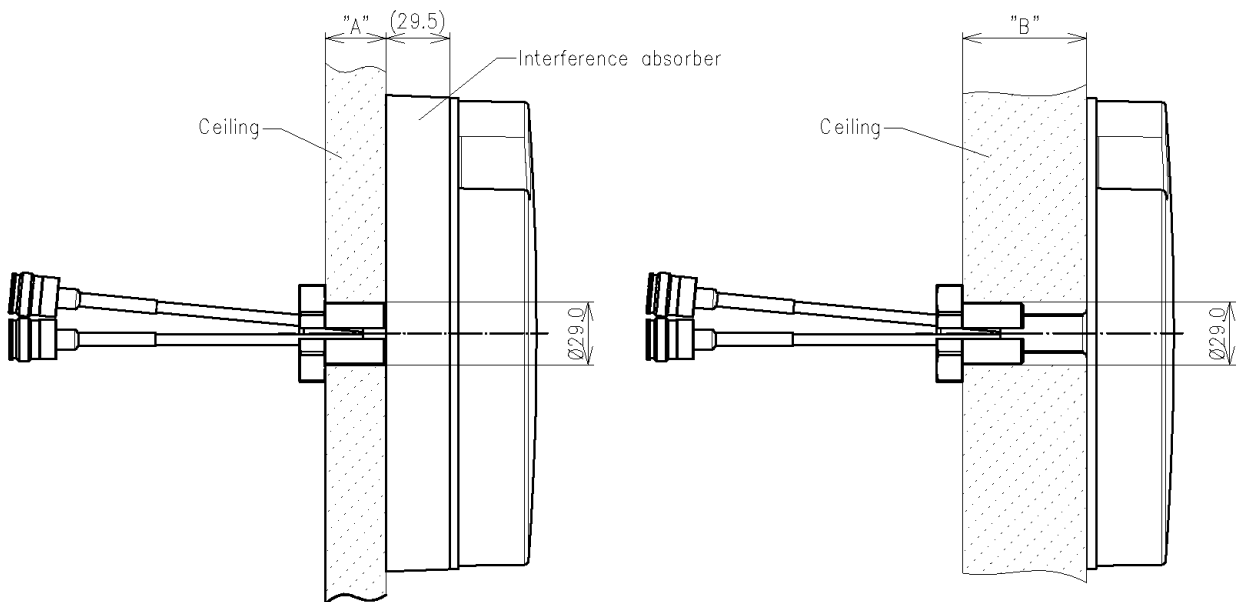
Central mounting extension || BN 16571A



all dimensions in millimeter

Other metal parts / surface finish	Acrylnitril-Styrol-Acrylat (ASA) / no finish		
Weight, approx.	21 g		
Operating temperature range	-40 to +85 °C		
Storage temperature range	-70 to +85 °C		
Suitable for omni antennas	A77147 A77670 A77684		
	Antenna	Dim "A"	Dim "B"
Ceiling thickness, max.	A77147	32.8	62.3
	A77670	35.0	64.5
	A77684	32.0	61.5

SPINNER GmbH
 This document is proprietary to us.
 All rights reserved. Any use, transfer, or reproduction of this document
 or the know-how contained therein requires our express consent.



Template TD-00003F