

## Rigid Line Components 6 1/8" SMS

- Outer conductor system aluminium/aluminium alloy
- Quick and simple assembly
- No special tools required
- PTFE insulation
- For indoor application

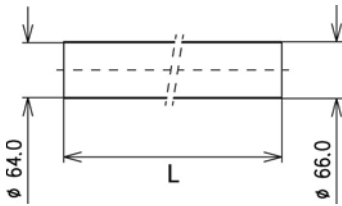
### Components

	Length	Weight	Part Number
Inner conductor tube (copper)	L = 2 m L = 4 m	3.50 kg 7.00 kg	<b>BN A02427</b> <b>BN K23334C0004</b>
Outer conductor tube (aluminium)	L = 2 m L = 4 m	5.50 kg 11.00 kg	<b>BN A02429</b> <b>BN K20204C0004</b>
Inner support		2.45 kg	<b>BN 532784</b>
Adapter SMS clamp to 6 1/8" EIA (339 IEC 50-105)		1.28 kg	<b>BN 532789</b>
Coupling element for 6 1/8" EIA (339 IEC 50-105) incl. screw set		2.12 kg	<b>BN 919310</b>
Rigid line splice		3.44 kg	<b>BN 532783</b>
90° Elbow		3.70 kg	<b>BN 532781</b>

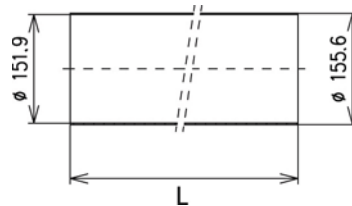
### Electrical Data

Impedance		50 Ω
Cut off frequency for H11-Mode		0.83 GHz
Proof voltage at sea level (NN)		28.0 kV
Frequency range		$0 \leq f \leq 800$ MHz
Average power at +40 °C ambient temperature	100 MHz 230 MHz 800 MHz	$\leq 213.0$ kW $\leq 140.0$ kW $\leq 72.0$ kW
Attenuation at +20 °C ambient temperature (dB/100m)	100 MHz 230 MHz 800 MHz	0.19 0.28 0.54
Installation instruction		M 36128

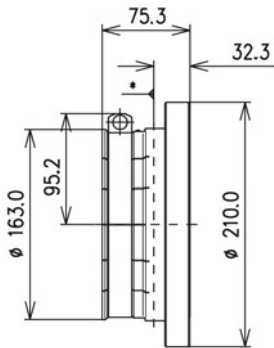
## Rigid Line Components 6 1/8" SMS



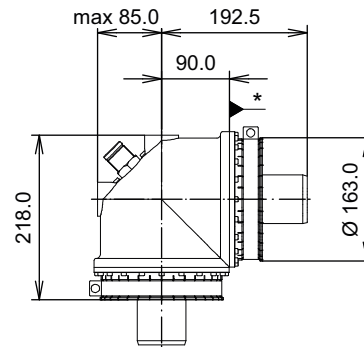
Inner conductor tube  
BN A02427; BN K23334



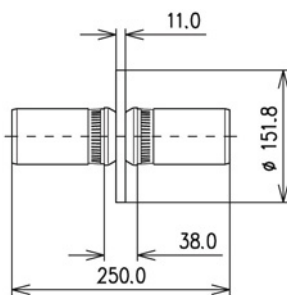
Outer conductor tube (not painted)  
BN A02429; BN K20204



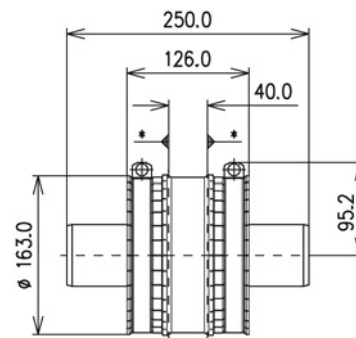
Adapter SMS clamp to 6 1/8" EIA  
BN 532789



90° Elbow with adjustment screw  
BN 532781



Inner support  
BN 532784



Rigid line splice  
BN 532783

Length of rigid line L	Number inner supports required
$3.0 \text{ m} \leq L \leq 4.0 \text{ m}$	1

\* Reference plane