

Rigid Line Components 4 1/2" SMS

- Outer conductor system aluminium/aluminium alloy
- Quick and simple assembly
- No special tools required
- PTFE insulation
- For indoor application

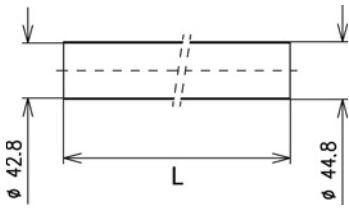
Components

	Length	Weight	Part Number
Inner conductor tube (copper)	L = 2 m L = 4 m	2.50 kg 5.00 kg	BN A02421 BN K26291C0004
Outer conductor tube (aluminium)	L = 2 m L = 4 m	2.70 kg 5.40 kg	BN A02423 BN K20203C0004
Inner support		0.60 kg	BN 648602
Adapter SMS clamp to 4 1/2" EIA (339 IEC 50-105)		0.93 kg	BN 532766
Coupling element for 4 1/2" EIA (339 IEC 50-105) incl. screw set		1.07 kg	BN 822810
Rigid line splice		2.02 kg	BN 532763
90° Elbow		3.72 kg	BN 532761

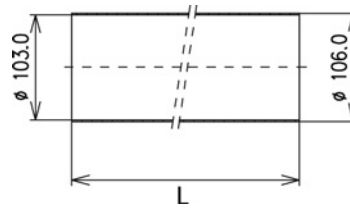
Electrical Data

Impedance		50 Ω
Cut off frequency for H11-Mode		1.2 GHz
Proof voltage at sea level (NN)		19.0 kV
Frequency range		$0 \leq f \leq 1.0$ GHz
Average power at +40 °C ambient temperature	100 MHz 230 MHz 860 MHz	≤ 106.0 kW ≤ 70.0 kW ≤ 37.0 kW
Attenuation at +20 °C ambient temperature (dB/100m)	100 MHz 230 MHz 860 MHz	0.28 0.42 0.82
Installation instruction		M 36126

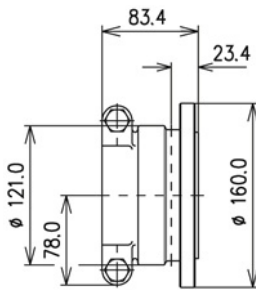
Rigid Line Components 4 1/2" SMS



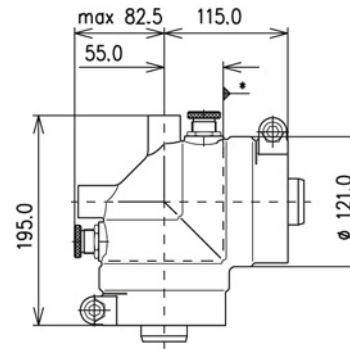
Inner conductor tube
BN A02421; BN K26291



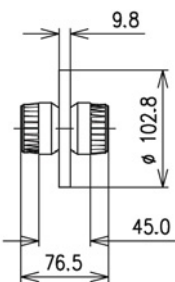
Outer conductor tube (not painted)
BN A02423; BN K20203



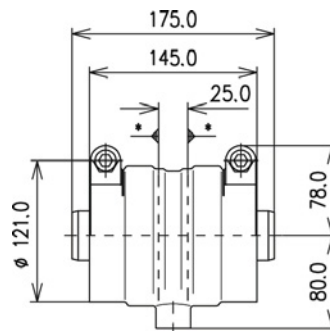
Adapter SMS clamp to 4 1/2" EIA¹
BN 532766



90° Elbow with adjustment screws
BN 532761



Inner support
BN 648602



Rigid line splice
BN 532763

Length of rigid line L	Number inner supports required
2.5 m ≤ L ≤ 4.0 m	1

¹ 339 IEC 50-105

* Reference plane