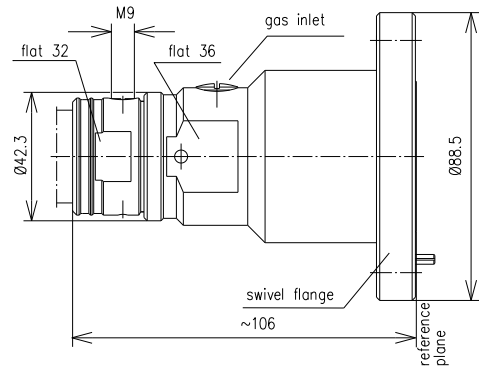


Cable Plug for HCA78-50, Type 1 5/8" EIA || BN 978918



all dimensions in millimeter

SPINNER GmbH
 This document is proprietary to us.
 All rights reserved. Any use, transfer, or reproduction of this document
 or the know-how contained therein requires our express consent.

Interface type	1 5/8" EIA (50 Ω) per IEC 60339-2	
Version	CAF®	
Frequency range	DC to 3.00 GHz	
VSWR, max. / typ.	1.02 @ DC to 1.00 GHz 1.05 @ 1.00 to 2.30 GHz 1.07 @ 2.30 to 3.00 GHz	
Inner conductor material / surface finish	copper alloy / silver plated	
Outer conductor material / surface finish	copper alloy / silver plated	
Other metal parts / surface finish	copper alloy / nickel plated	
Insulation	PTFE	
Sealing	silicone rubber, PLAST2000®	
IP protection level	IP68 per EN 60529 (barrier and mating face sealed)	
Cable compatibility	RFS	HCA 78-50
Installation instructions / Product manual	M30197	
Weight, approx.	1.1 kg	
Scope of delivery	protective cap, cover, installation instructions	