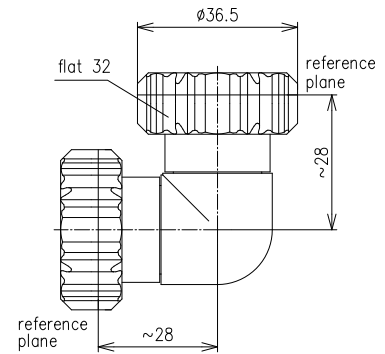


RIGHT ANGLE ADAPTOR TYPE 7-16



Part number	BN 94 47 02		
Connector type	7-16 plug / 7-16 plug		
Impedance	50 Ω		
Frequency range	0 - 1 GHz	≤ 1 - 2.7 GHz	≤ 2.7 - 3.7 GHz
VSWR	≤ 1.02	≤ 1.06	≤ 1.08
Material and surface			
Inner conductor	copper alloy	silver-plated	
Outer conductor	copper alloy	silver-plated	
Other metal parts	copper alloy	bright nickel-plated	
Insulation	PTFE		
Sealing	silicone rubber		
Degree of protection	IP68 (mated)		
Standards	IEC 61169-4		