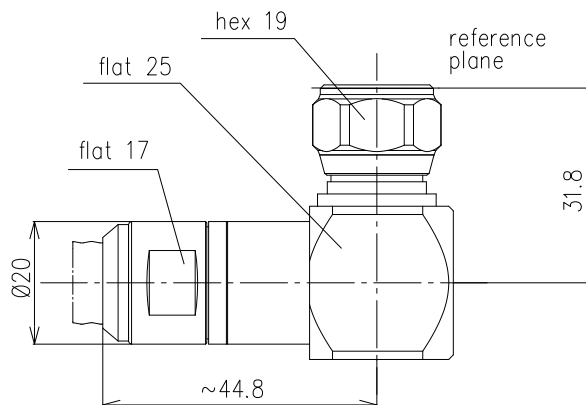


RIGHT ANGLE PLUG FOR SF 1/2"-50-TYPE N



Part number	BN 87 01 74		
Connector type	N plug		
Version	MultiFit™		
Impedance	50 Ω		
Frequency range	0 - 1 GHz	1 - 2.7 GHz	2.7 - 3.8 GHz
VSWR	≤ 1.04	≤ 1.08	≤ 1.13
Material and surface			
Inner conductor	copper alloy	silver-plated	
Outer conductor	copper alloy copper alloy	CuSnZn-plated silver-plated	
Other metal parts	copper alloy	bright nickel-plated	
Insulation	PTFE		
Sealing	silicone rubber		
Degree of protection	IP68 (mated)		
Cable compatibility	Spinner	SPINNERFlex™ SF 1/2"-50	
	Acome	HPL50-1/2 SF	
	Andrew	FSJ4-50B	
	Draka	RFF 1/2"-50	
	Eupen	EC4-50-HF	
	Hansen	RF 50 1/2"S	
	Hengxin	HRCAY-50-9	
	Leoni	FlexLine 1/2"S	
	LS Cable	HFSC 12D	
	RFS	SCF 12-50	
Standards	IEC 61169-16		
Installation instructions	M32106		
Weight	approx. 0.16 kg		
Included in delivery	installation instructions		