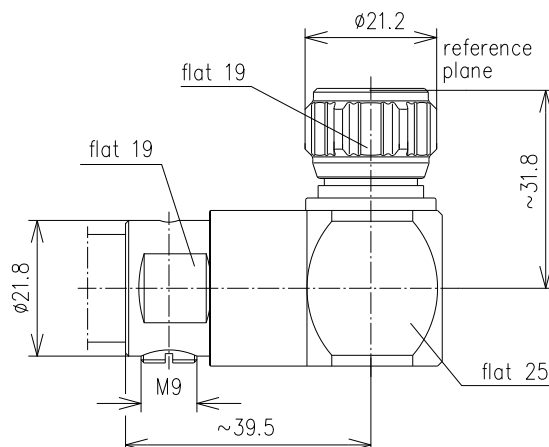


RIGHT ANGLE CABLE PLUG FOR LF 1/2"-50-TYPE N



Part number	BN 87 01 67			
Connector type	N plug			
Version	CAF®			
Impedance	50 Ω			
Frequency range	0 - 1 GHz	1 - 2 GHz	2 - 2.7 GHz	2.7 - 3.8 GHz
VSWR	≤ 1.04	≤ 1.06	≤ 1.08	≤ 1.1
Material and surface				
Inner conductor	copper alloy		silver-plated	
Outer conductor	copper alloy		silver-plated	
Other metal parts	copper alloy		bright nickel-plated	
Insulation	PTFE			
Sealing	silicone rubber, PLAST 2000®			
Degree of protection	IP68 (mated)			
Cable compatibility	RFS	LCF 12-50		
Standards	IEC 61169-16			
Installation instructions	M30596			
Weight	approx. 0.16 kg			
Included in delivery	cover, installation instructions			