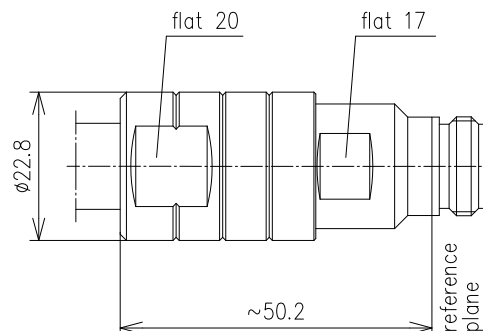


CABLE SOCKET FOR SF 1/2"-50-TYPE N



|                           |                           |                      |               |
|---------------------------|---------------------------|----------------------|---------------|
| <b>Part number</b>        | <b>BN 84 60 57</b>        |                      |               |
| Connector type            | N socket                  |                      |               |
| Version                   | CAF®                      |                      |               |
| Impedance                 | 50 Ω                      |                      |               |
| Frequency range           | 0 - 1 GHz                 | 1 - 2.7 GHz          | 2.7 - 3.8 GHz |
| VSWR                      | ≤ 1.02                    | ≤ 1.03               | ≤ 1.08        |
| Material and surface      |                           |                      |               |
| Inner conductor           | copper alloy              | silver-plated        |               |
| Outer conductor           | copper alloy              | silver-plated        |               |
| Other metal parts         | copper alloy              | bright nickel-plated |               |
| Insulation                | PTFE                      |                      |               |
| Sealing                   | silicone rubber           |                      |               |
| Degree of protection      | IP68 (mated)              |                      |               |
| Cable compatibility       | RFS                       | SCF 12-50            |               |
| Standards                 | IEC 61169-16              |                      |               |
| Installation instructions | M30762                    |                      |               |
| Weight                    | approx. 0.1 kg            |                      |               |
| Included in delivery      | installation instructions |                      |               |