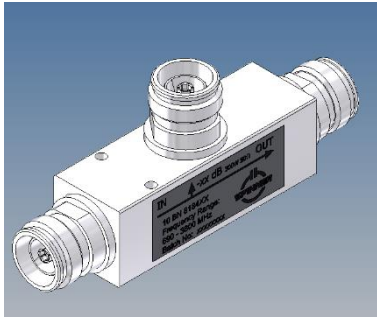
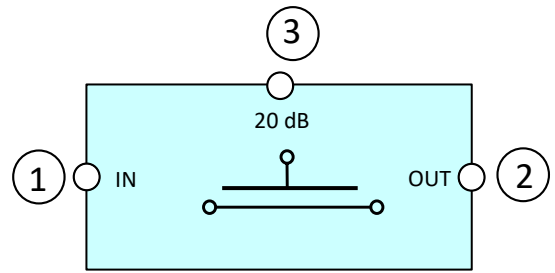


Tapper 4.8dB /6dB /7dB /8dB /9dB /10dB /13dB /15dB /20dB



Picture not binding



(example:20dB tapper)

Block diagram

Electrical characteristics

Part number	818449	818450	818451	818452	818453	818454	818455	818456	818457
Splitting ratio	1 : 0.33 : 0.67	1 : 0.25 : 0.75	1 : 0.2 : 0.8	1 : 0.16 : 0.84	1 : 0.11 : 0.89	1 : 0.1 : 0.9	1 : 0.05 : 0.95	1 : 0.03 : 0.97	1 : 0.01 : 0.99
Frequency range	690-2170 MHz & 2300-3800 MHz								
Insertion loss	≤ 2.2 dB	≤ 1.7 dB	≤ 1.3 dB	≤ 0.9 dB	≤ 0.8 dB	≤ 0.6 dB	≤ 0.4 dB	≤ 0.3 dB	≤ 0.3 dB
Coupling	4.8 dB ±1.5	6 dB -1.4/1.6	7 dB ±1.2	8 dB -0.6/1.8	9 dB -0.7/1.7	10 dB -0.8/1.6	13 dB -1.0/1.4	15 dB -1.1/1.3	20 dB -1.1/1.3
VSWR	≤ 1.3								
Impedance	50 Ohms								
Power rating	Average Power 300W (CW)								
Passive intermodulation (IM3), 3rd order @ 2 x 20W	-153 dBc max. / -158 dBc typ.								

Mechanical characteristics

Connectors	4.3-10 female
Dimensions, approx.	25 mm x 45 mm x 115 mm (Width x Height x Depth) (without mounting kit)
Weight, approx.	0.22 kg
Color	Gray
Wall / Mast mounting	to be ordered separately under BN B30578 (optional)

Environmental conditions

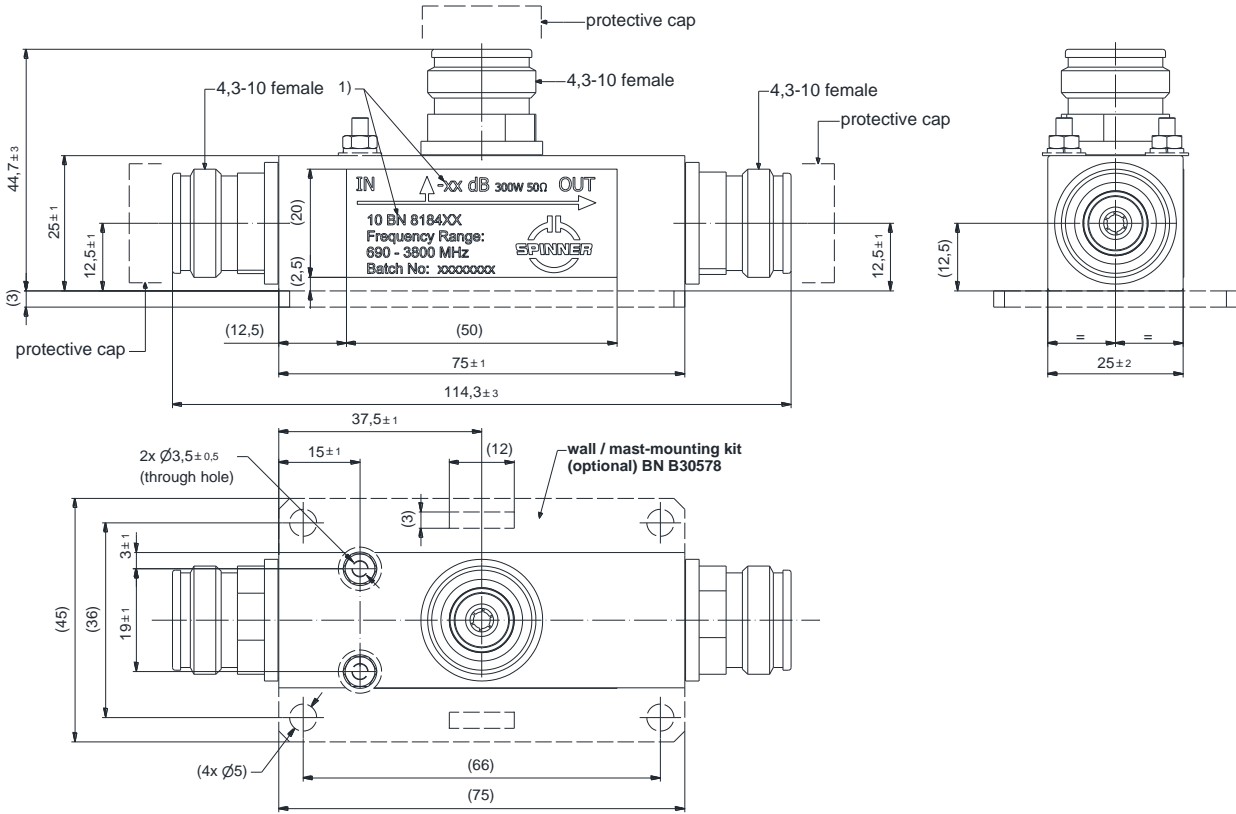
Class. of environmental conditions	ETSI EN 300019-1-1 Class 1.2 ETSI EN 300019-1-2 Class 2.3 ETSI EN 300019-1-4 Class 4.1E
Degree of protection	IP 65 (Outdoor)
Operation Ambient temperature range	-30 °C to +75 °C
Storage Ambient temperature range	-40 °C to +80 °C
Relative humidity, max.	95% (non-condensing)

SPINNER GmbH
 This document is proprietary to us.
 All rights reserved. Any use, transfer, or reproduction of this document
 or the know-how contained therein requires our express consent.

Template TD-00002Y

Tapper 4.8dB /6dB /7dB /8dB /9dB /10dB /13dB /15dB /20dB

Outline (all dimensions in millimeter)



Standard:

4.3-10 female (50 ohms): IEC 61169-54

modifications reserved

SPINNER GmbH
 This document is proprietary to us.
 All rights reserved. Any use, transfer, or reproduction of this document
 or the know-how contained therein requires our express consent.

Template TD-00002Y