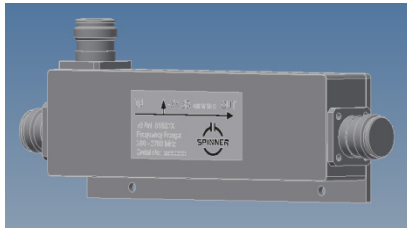
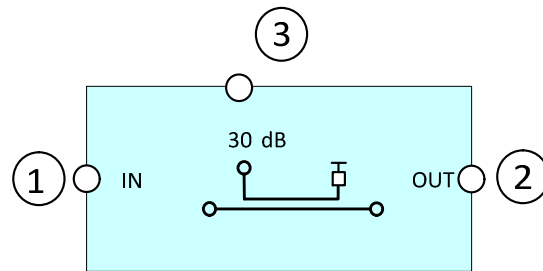


Directional Coupler 4.8dB /6dB /7dB /8dB /10dB /13dB /15dB /20dB /30dB



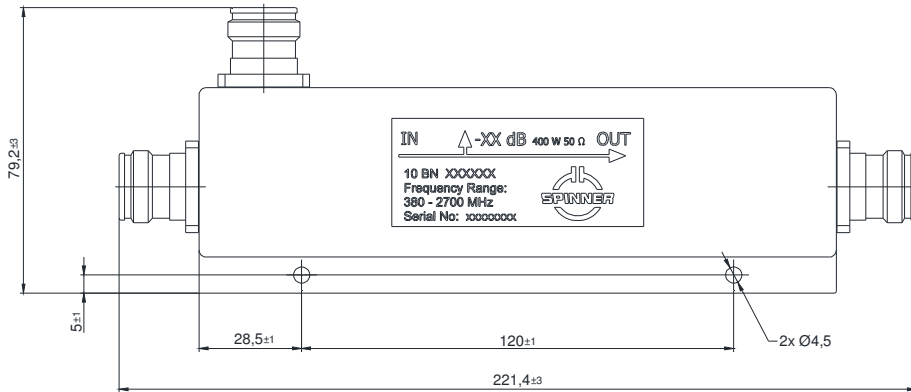
not binding



block diagram (use 30dB coupler as an example)

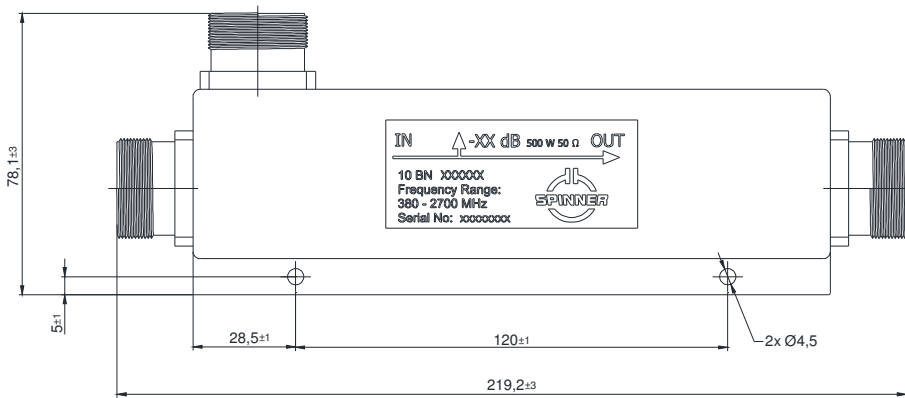
Part number (BN) 4.3 -10 Female (50 Ohms)	818367	818368	818369	818370	818371	818372	818373	818374	818375
Part number (BN) 7-16 Female (50 Ohms)	818376	818377	818378	818379	818380	818381	818382	818383	818384
Part number (BN) N-Female (50 Ohms)	818385	818386	818387	818388	818389	818390	818391	818392	818393
Splitting ratio	1 : 0.32 : 0.67	1 : 0.25 : 0.75	1 : 0.2 : 0.8	1 : 0.16 : 0.84	1 : 0.1 : 0.9	1 : 0.05 : 0.95	1 : 0.03 : 0.97	1 : 0.01 : 0.99	1 : 0.001 : 0.999
Frequency range	380 – 2700 MHz								
Insertion loss	2.15 dB	1.75 dB	1.5 dB	1.2 dB	0.85 dB	0.65dB	0.45 dB	0.35 dB	0.3 dB
Coupling	4.8 dB + 1.4 /- 1.0 dB	6 dB ± 1.2 dB	7 dB ± 1.2 dB	8 dB ± 1.2 dB	10 dB ± 1.2 dB	13 dB ± 1.2 dB	15 dB ± 1.2 dB	20 dB ± 1.2 dB	30 dB ± 1.2 dB
VSWR	≤ 1.25								
Directivity	≥ 20 dB	≥ 20 dB	≥ 20 dB	≥ 20 dB	≥ 20 dB	≥ 20 dB	≥ 20 dB	≥ 20 dB	≥ 18 dB
Power rating	4.3 -10 Female ≤ 400 W 7-16 Female ≤ 500 W N-Female ≤ 300 W								
IM - value 3rd order @ 2 x 20 W	≤ -155 dBc   typical ≤ -160 dBc								
DC-by-pass	Port 1 to Port 2 (max. 1A per input max. 60V DC(AISG Standard, 2.0, § 6.4))								
Degree of protection	IP 65 (Outdoor)								
Environmental conditions	ETSI EN 300019-1-1 Class 1.2 ETSI EN 300019-1-2 Class 2.3 ETSI EN 300019-1-4 Class 4.1E								
Weight	4.3 -10 Female 0.61 Kg N Female 0.54 Kg 7-16 Female 0.83 Kg								
Paint color	Grey								
Wall / Mast mounting	integrated								
Temperature range	-30 °C – +70 °C								
Dimensions (w x h x d)	See drawing								

Dimensions:



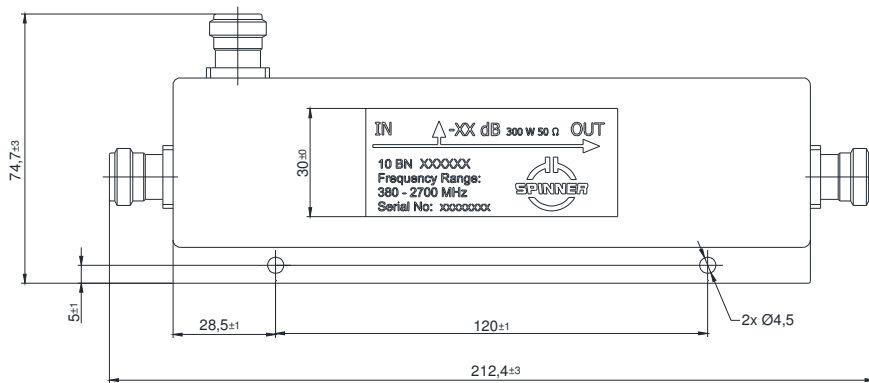
Standard:

4.3-10 female (50 ohms): IEC 61169-54



Standard:

7-16 female (50 ohms): CECC 22190, IEC 61169-4



Standard:

N female (50 ohms): CECC 22210, IEC 61169-16