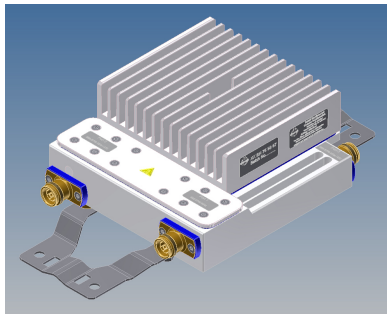
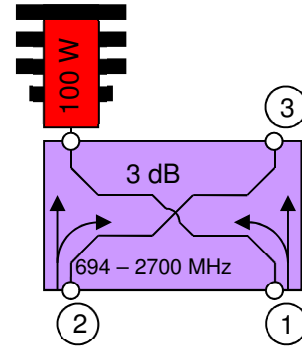


3 dB Hybrid Combiner with integrated low IM-Load



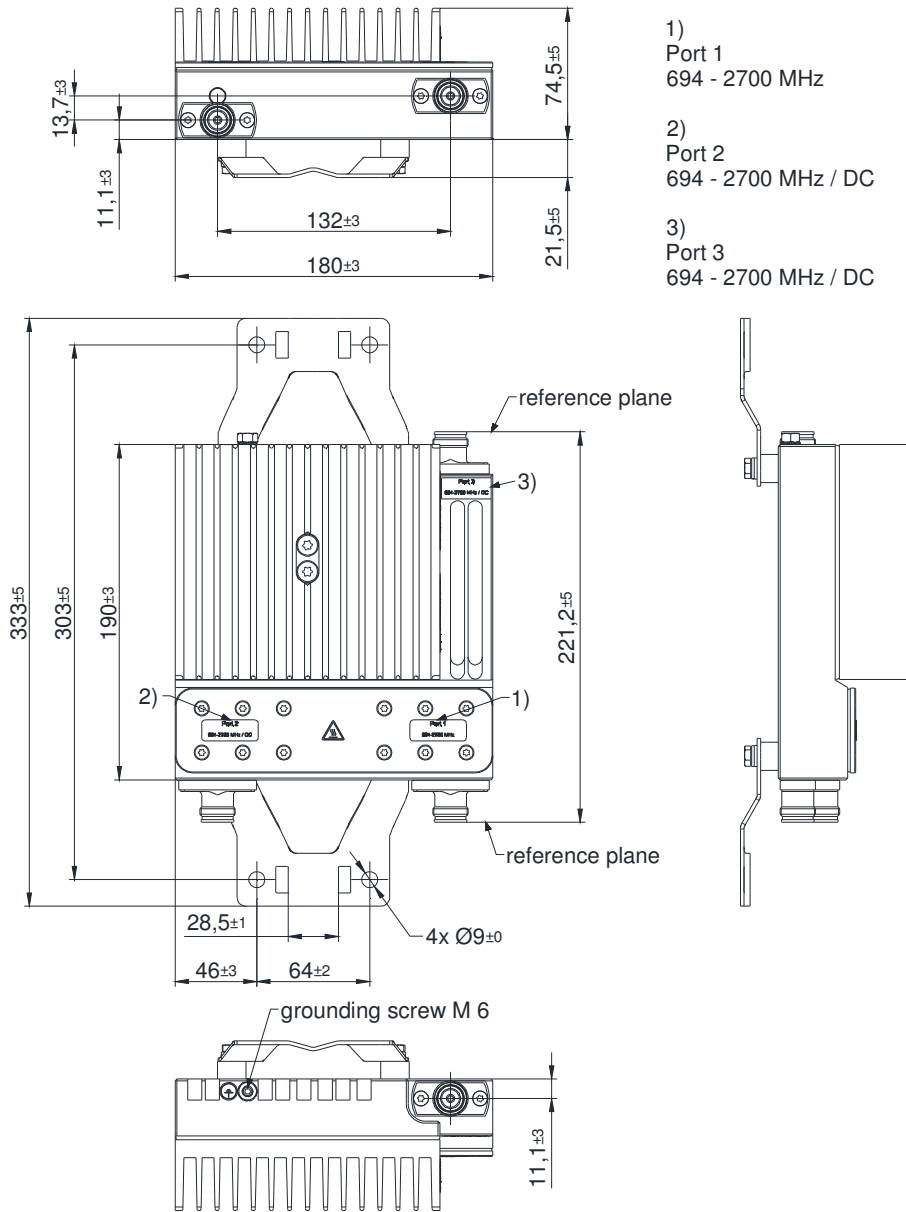
not binding



Block Diagram

Part number		BN 753367
Connectors		4.3-10 socket (50 Ohms)
Frequency range		694 – 2700 MHz
Coupling attenuation	694 – 800 MHz	3 dB +/- 0.5 dB
	800 – 2700 MHz	3 dB +/- 0.4 dB
Isolation		≥ 30 dB
VSWR		≤ 1.15
Test voltage		500 V
Power rating	vertical mounting position	100 W (per input)
	horizontal mounting position	80 W (per input)
	hanging mounting position	80 W (per input)
IM – value 3rd order @ 2 x 20 W		≥ -155 dBc typical: ≥ -160dBc
DC-by-pass		Port 2 → Port 3 (max. 2.5 A AISG conform)
Degree of protection		IP 68
Environmental conditions		ETSI EN 300019-1-1 Class 1.2 ETSI EN 300019-1-2 Class 2.3 ETSI EN 300019-1-4 Class 4.1E
Weight		4.0 kg
Wall / Mast mounting		part of delivery
Temperature range		-40 °C – +55 °C

Dimension:

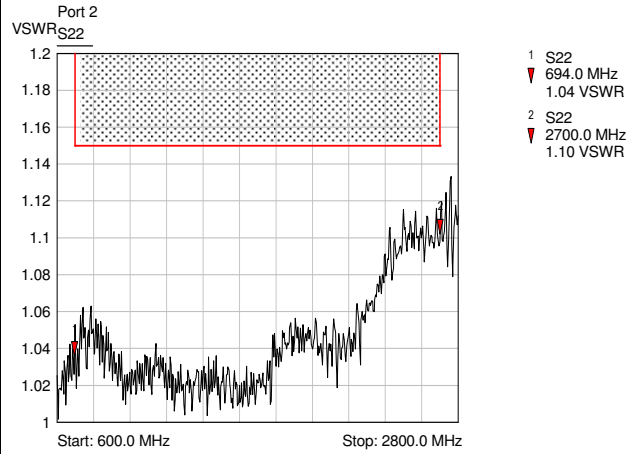
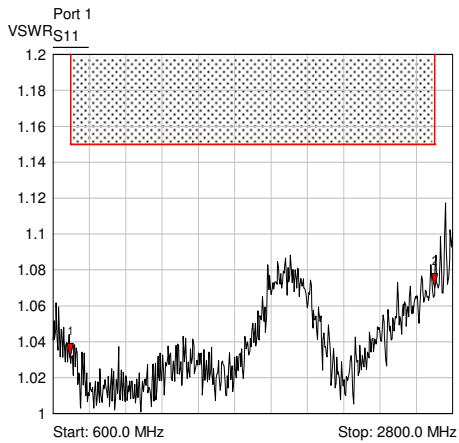


Standard:
4,3-10 female (50 ohms): 62299

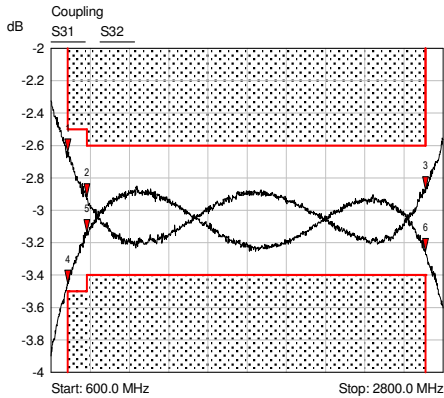
modifications reserved

Measurements:

VSWR:



Coupling attenuation:



Isolation:

