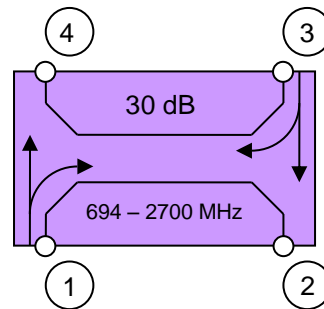


30 dB Coupler (H-Style)



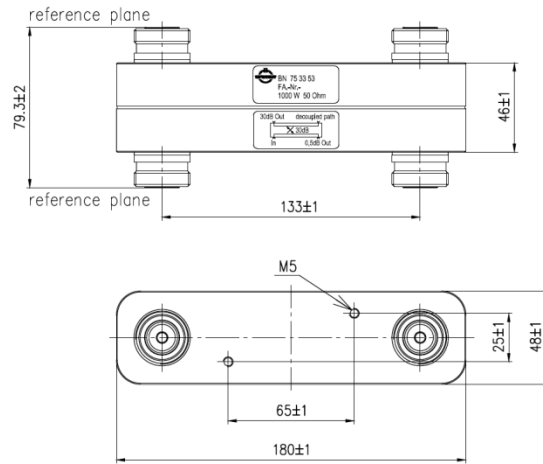
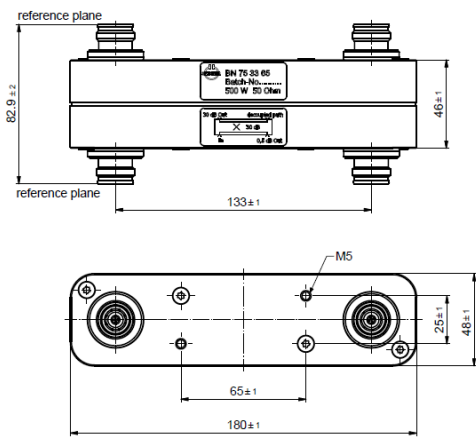
not binding



block diagram

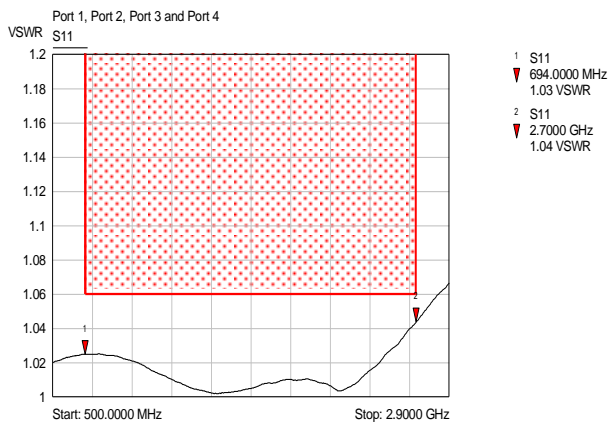
Part number	BN 753365	BN 753353
Connectors	4.3-10 socket (50 Ohms)	7-16 socket (50 Ohms)
Frequency range	694 - 2700 MHz	
Insertion loss	≤ 0.1 dB	
Coupling attenuation 694 – 2700 MHz	30 dB +/- 1 dB	
Isolation 694 – 2700 MHz	≥ 60 dB	
VSWR 694 – 2700 MHz	≤ 1.06 typical ≤ 1.04	
Test voltage	500 V	3 kV
Power rating	max. 500 W	max. 1000 W
IM – value 3rd order at 2 x 20 W	≤ -160 dBc typical: ≤ -165 dBc	
Special feature	DC path Port 1 → Port 2 and Port 3 → Port 4 (max. 6.5 A AISG conform)	
Degree of protection mated / 1bar, 1h, ≤18°C	IP 68	
Environmental conditions	ETSI EN 300019-1-1 Class 1.2 ETSI EN 300019-1-2 Class 2.3 ETSI EN 300019-1-4 Class 4.1E	
Wall / Mast mounting	to be ordered separately under BN B13702	
Weight	1.2 kg	
Temperature range	-40 – +70 °C	

Dimensions:

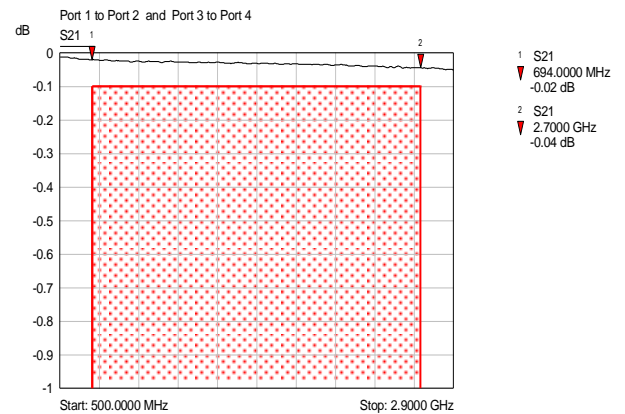


Measurements:

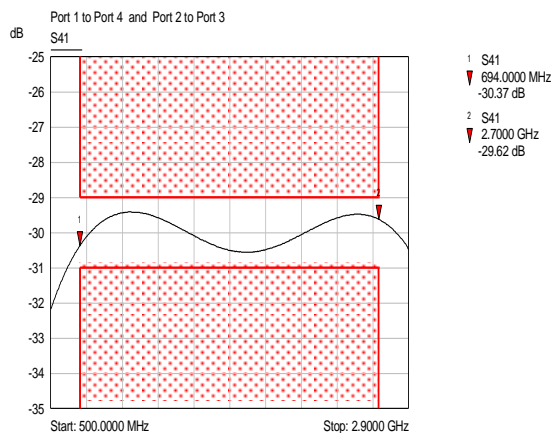
VSWR:



Insertion loss:



Coupling attenuation:



Isolation:

