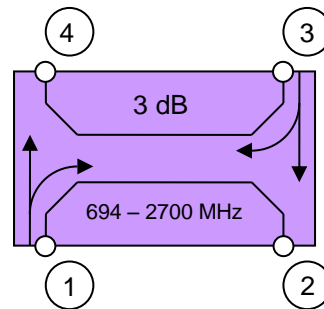


3 dB Coupler (H-Style)



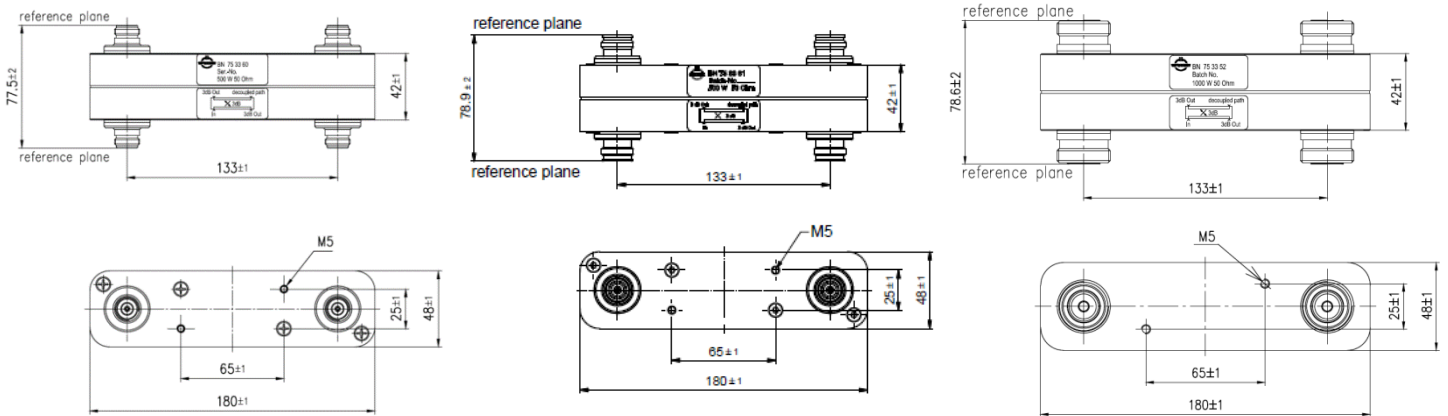
not binding



block diagram

Part number	BN 753360	BN 753361	BN 753352
Connectors	N socket (50 Ohms)	4.3-10 socket (50 Ohms)	7-16 socket (50 Ohms)
Frequency range	694 - 2700 MHz (LTE700 - LTE2600)		
Insertion loss	≤ 0.1 dB		
Coupling attenuation	694 – 800 MHz 800 – 2500 MHz 2500 – 2700 MHz	3 dB +/- 0.60 dB 3 dB +/- 0.25 dB 3 dB +/- 0.80 dB	
Isolation	694 – 2500 MHz 2500 – 2700 MHz	≥ 33 dB ≥ 28 dB	
VSWR	694 – 2500 MHz 2500 – 2700 MHz	≤ 1.06 ≤ 1.10	
Test voltage	500 V		
Power rating	max. 500 W	max. 500 W	max. 1000 W
IM – value 3rd order at 2 x 20 W	≤ -155 dBc typical: ≤ -160 dBc	≤ -160 dBc typical: ≤ -165 dBc	
Special feature	DC path Port 1 → Port 2 and Port 3 → Port 4 (max. 6.5 A AISG conform)		
Degree of protection mated / 1bar, 1h, ≤18°C	IP 68		
Environmental conditions	ETSI EN 300019-1-1 Class 1.2 ETSI EN 300019-1-2 Class 2.3 ETSI EN 300019-1-4 Class 4.1E		
Wall / Mast mounting	to be ordered separately under BN B13702		
Weight	1.2 kg		
Temperature range	-40 – +70 °C		

Dimensions:



Measurements:

